



**Features:**

800PSI(PN40)

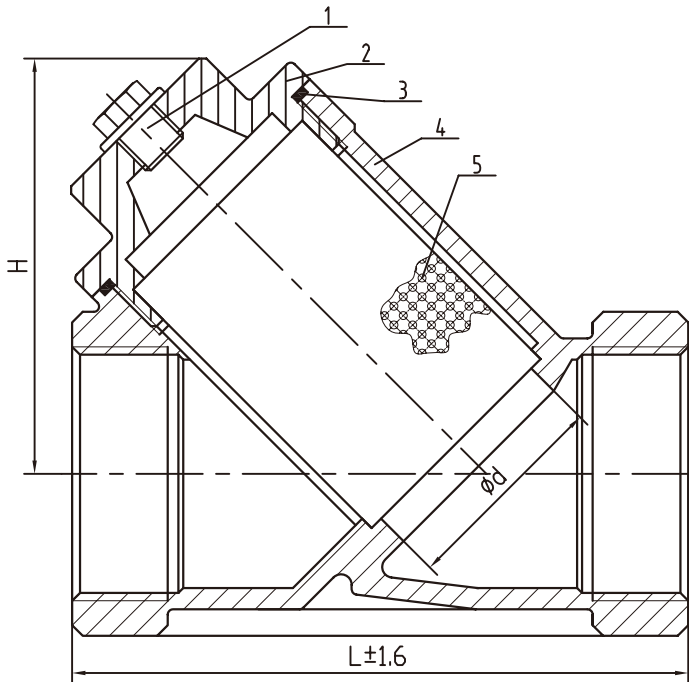
Investment Casting

Thread: ASME B1.20.1 BS21.DIN2999/259 ,

ISO228-1, JIS B 0203,ISO7/1

Inspection Testing: API598,EN12266

**Part List, Material and Dimension**



No.	Part Name	Material
1	Nut	SS304 / SS316
2	Cap	WCB / CF8 / CF8M
3	Gasket	PTFE / RPTFE
4	Body	WCB / CF8 / CF8M
5	Screen	SS304 / SS316

Size		ød	L	H
DN6	1/4"	10	56	47.5
DN10	3/8"	12	56	47.5
DN15	1/2"	15	64	47.5
DN20	3/4"	20	79	57
DN25	1"	25	88	63.5
DN32	1-1/4"	32	104	71.5
DN40	1-1/2"	38	118	80.5
DN50	2"	50	133	91.5
DN65	2-1/2"	65	170	121
DN80	3"	80	195	137
DN100	4"	100	240	169