



Features:

800PSI/PN40

Investment Casting

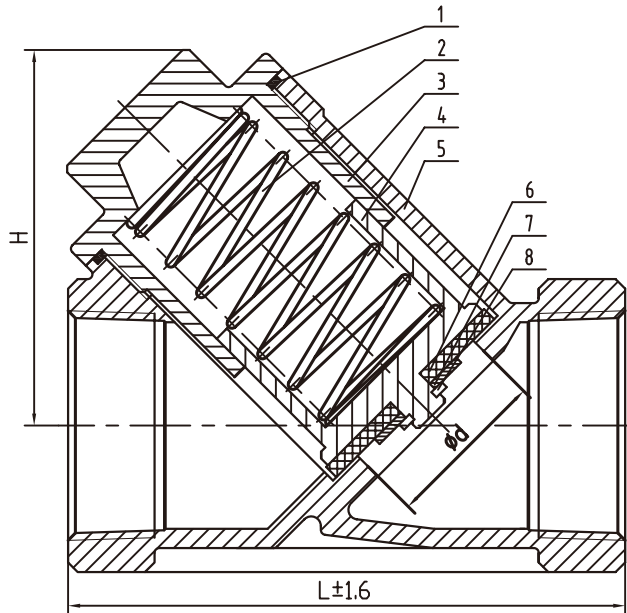
Precise Grinding

Thread: ASME B1.20.1 BS21.DIN2999/259,

ISO228-1, JIS B 0203,ISO7/1

Inspection Testing: API598,EN12266

Part List, Material and Dimension



No.	Part Name	Material
1	Gasket	PTFE / RPTFE
2	Spring	SS304 / SS316
3	Cap	WCB / CF8 / CF8M
4	Spring Seat	SS304 / SS316
5	Body	WCB / CF8 / CF8M
6	Seat	PTFE / RPTFE
7	Gasket	SS304 / SS316
8	Ring	SS304 / SS316

Size		∅d	L	H
DN6	1/4"	10	56	47.5
DN10	3/8"	12	56	47.5
DN15	1/2"	15	64	47.5
DN20	3/4"	20	79	57
DN25	1"	25	88	63.5
DN32	1-1/4"	32	104	71.5
DN40	1-1/2"	38	118	80.5
DN50	2"	50	133	91.5
DN65	2-1/2"	65	170	121
DN80	3"	80	195	137
DN100	4"	100	240	169