

T SERIES AIR FILTER REGULATOR

Instruction

T Series air filter are the devices to adjust the supplying pressure of the pipes to suit the positioner and controlling devices.



Aluminium Alloy Body



SS316 Body

Features:

- Keep stable pressure despite alternation of the pressure and flow of the pipes.
- Low weight, compact structure, easy mounting and maintenance.
- Be able to filter tiny dust.

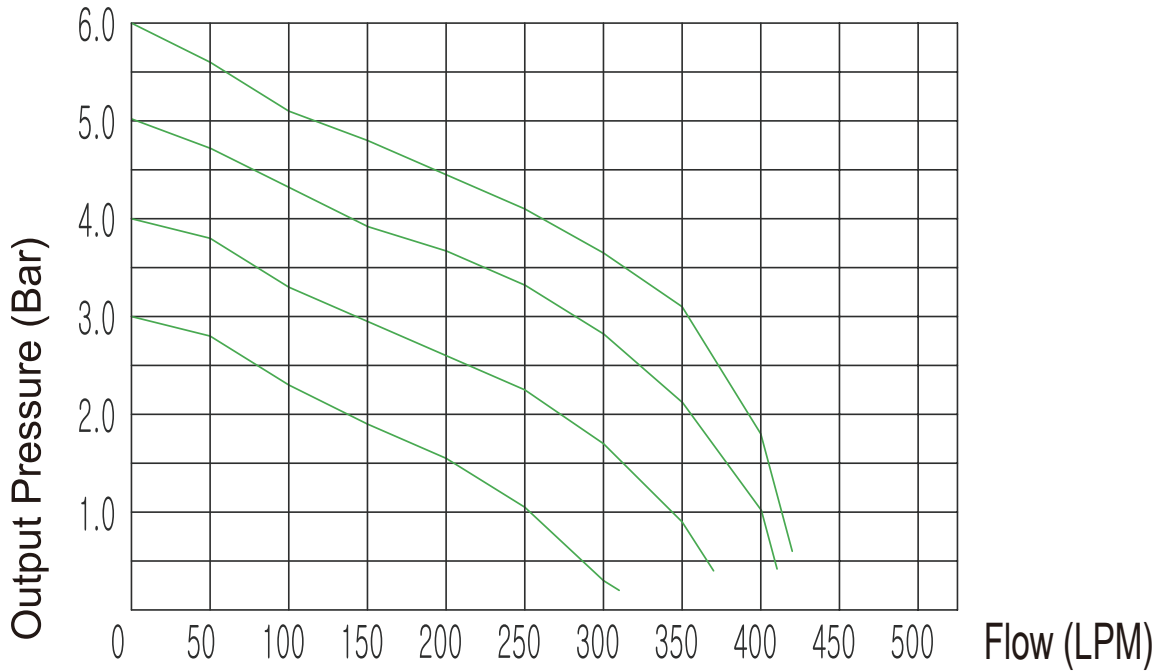
Technical Data:

Model	T-200AP	T-200AN	T-205SP	T-205SN
Medium	Air			
Max. Supply Pressure	15 Bar (215PSI)			
Max. Output Pressure	0~84 Bar (0~1218PSI)			
Ambient Temp.	-20°C~+70°C			
Air Connection	PT 1/4	NPT 1/4	PT 1/4	NPT 1/4
Gauge Connection	PT 1/4	NPT 1/4	PT 1/4	NPT 1/4
Min. Filtering Size	5 Micron			
Material of Body	Aluminium Alloy		Stainless Steel SS316	
Weight	0.6kg		1.5kg	

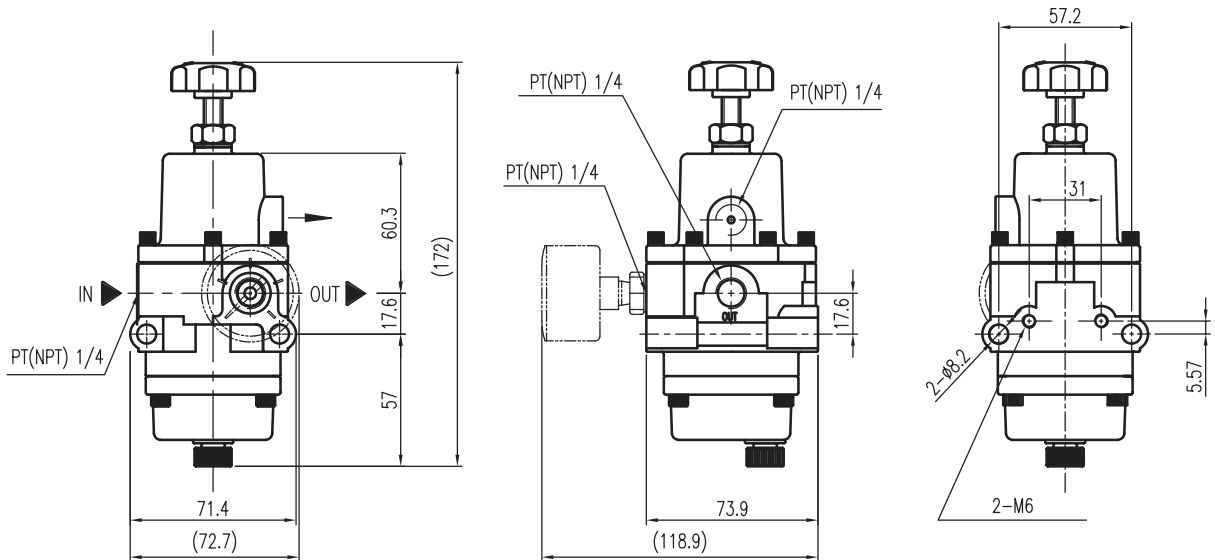
T SERIES AIR FILTER REGULATOR

Performance Curve:

Supply: 7 Bar



Dimension:



www.injoyindustry.com
sales@injoyindustry.com

INJOY
 INDUSTRY