



Features:

200PSI/PN16

Investment Casting

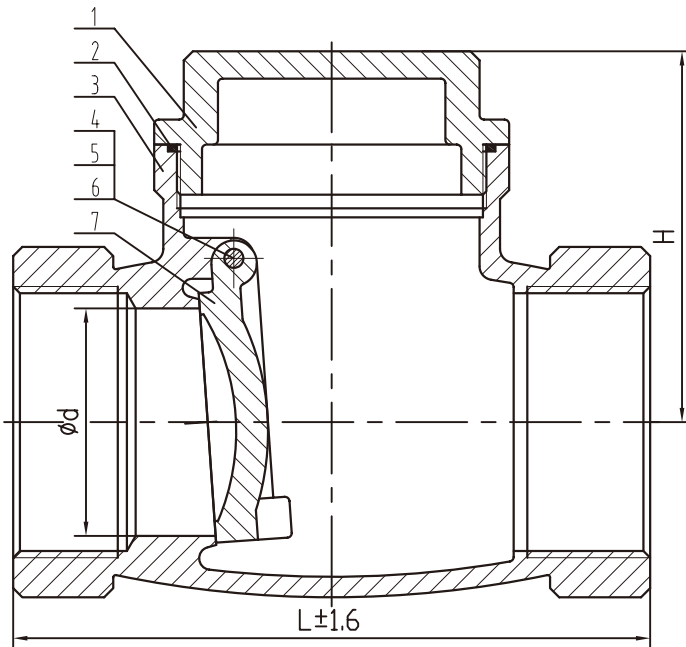
Precise Grinding

Thread: ASME B1.20.1 BS21.DIN2999/259,

ISO228-1, JIS B 0203,ISO7/1

Inspection Testing: API598,EN12266

Part List, Material and Dimension



No.	Part Name	Material
1	Cap	CF8 / CF8M
2	Gasket	PTFE / RPTFE
3	Body	CF8 / CF8M
4	Hanger Pin	SS304 / SS316
5	Bolt	B8
6	Gasket	PTFE / RPTFE
7	Disc	CF8 / CF8M

Size		ød	L	H
DN15	1/2"	15	64.5	42.5
DN20	3/4"	20	79.5	52
DN25	1"	25	89.5	61.5
DN32	1-1/4"	32	104	63
DN40	1-1/2"	40	119	71.5
DN50	2"	50	138.5	75.5
DN65	2-1/2"	65	185	93
DN80	3"	80	200	104
DN100	4"	100	240	139