



Feature:

Design and Manf. : BS 3952

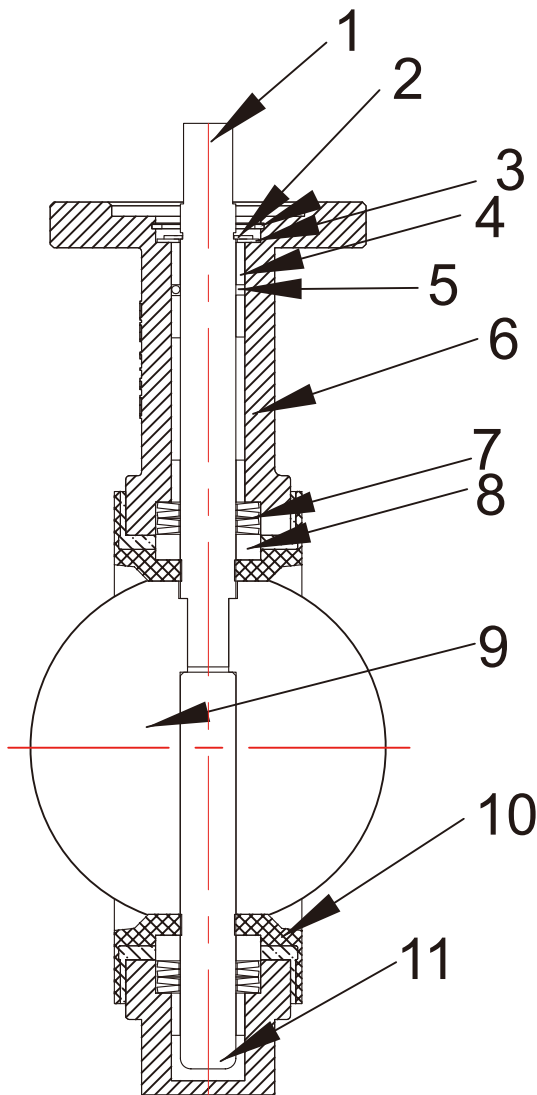
Pressure: DIN 2632 PN10, DIN 2633 PN16

Side Flange: DIN 2632 PN10, DIN 2633 PN16

Face to Face: ISO 5752-20

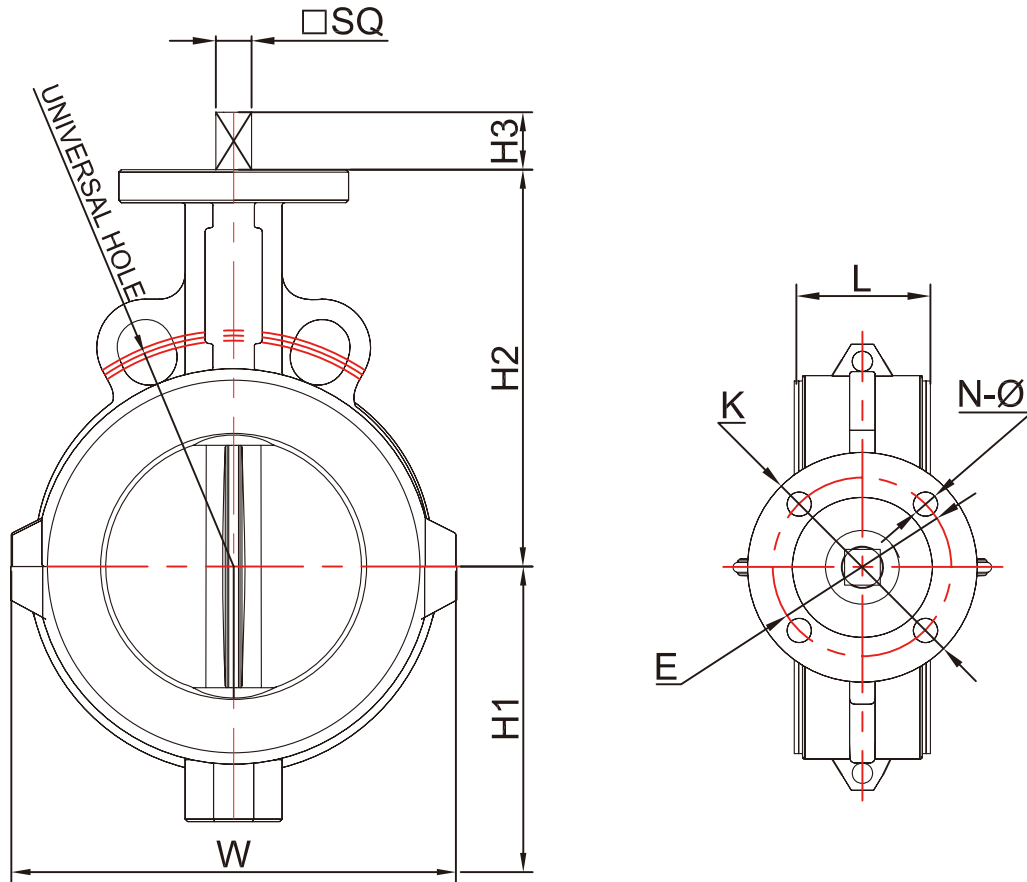
Top Flange: ISO5211

Part List, Material and Dimension



No.	Part	Material
1	Stem	SS416, SS420, SS304, SS316, PH17-4
2	Retainer	SS316, SS304, WCB+PTFE, SS316+PTFE
3	Gasket	SS304, SS316
4	Bushing	FRP
5	O ring	NBR/BUAN/VITON
6	Body	Ductile Iron
7	Spring	301
8	Gland	FRP
9	Disc	SS316, SS304, WCB+PTFE, SS316+PTFE
10	Seat	PTFE
11	Stem	SS416, SS420, SS304, SS316, PH17-4

Dimension



Size	H1	H2	H3	W	□SQ	L	E	K	N- ϕ
DN50 2"	74	136	32	117	11x11	43	50	65	4- ϕ 7
DN65 2-1/2"	82	138	32	126	11x11	46	50	65	4- ϕ 7
DN80 3"	90	138	32	142	11x11	46	50	65	4- ϕ 7
DN100 4"	115.8	158	32	178	14x14	52	70	90	4- ϕ 10
DN125 5"	132.5	174	32	202	14x14	56	70	90	4- ϕ 10
DN150 6"	145.5	190	32	234	14x14	56	70	90	4- ϕ 10
DN200 8"	179.5	229	45	286	17x17	60	102	125	4- ϕ 12
DN250 10"	216.5	269	45	350	22x22	68	102	125	4- ϕ 12
DN300 12"	253.5	300	45	402	22x22	78	102	125	4- ϕ 12



Feature:

Design and Manf. : BS 3952

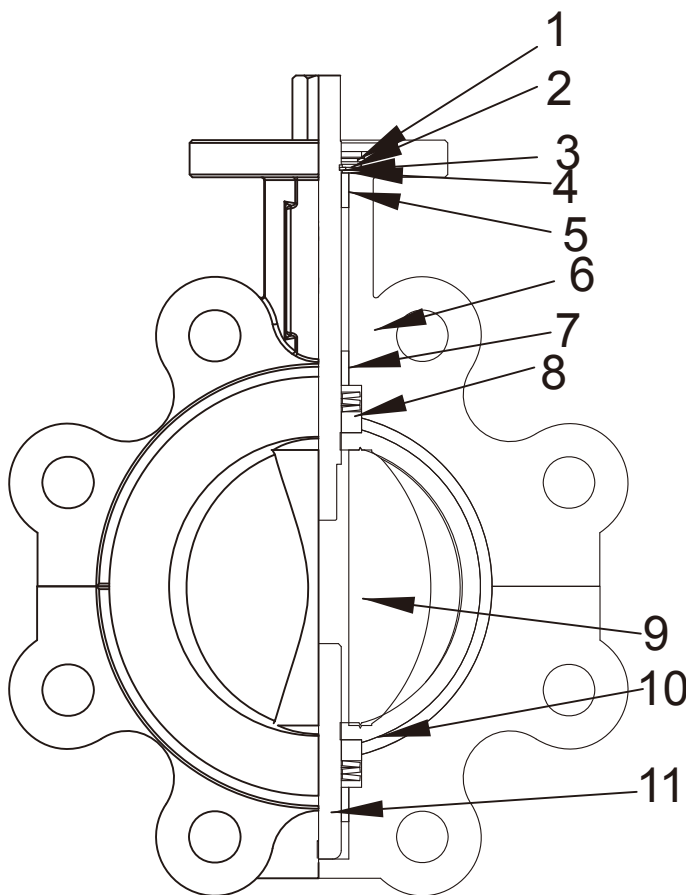
Pressure: DIN 2632 PN10, DIN 2633 PN16

Side Flange: DIN 2632 PN10, DIN 2633 PN16

Face to Face: ISO 5752-20

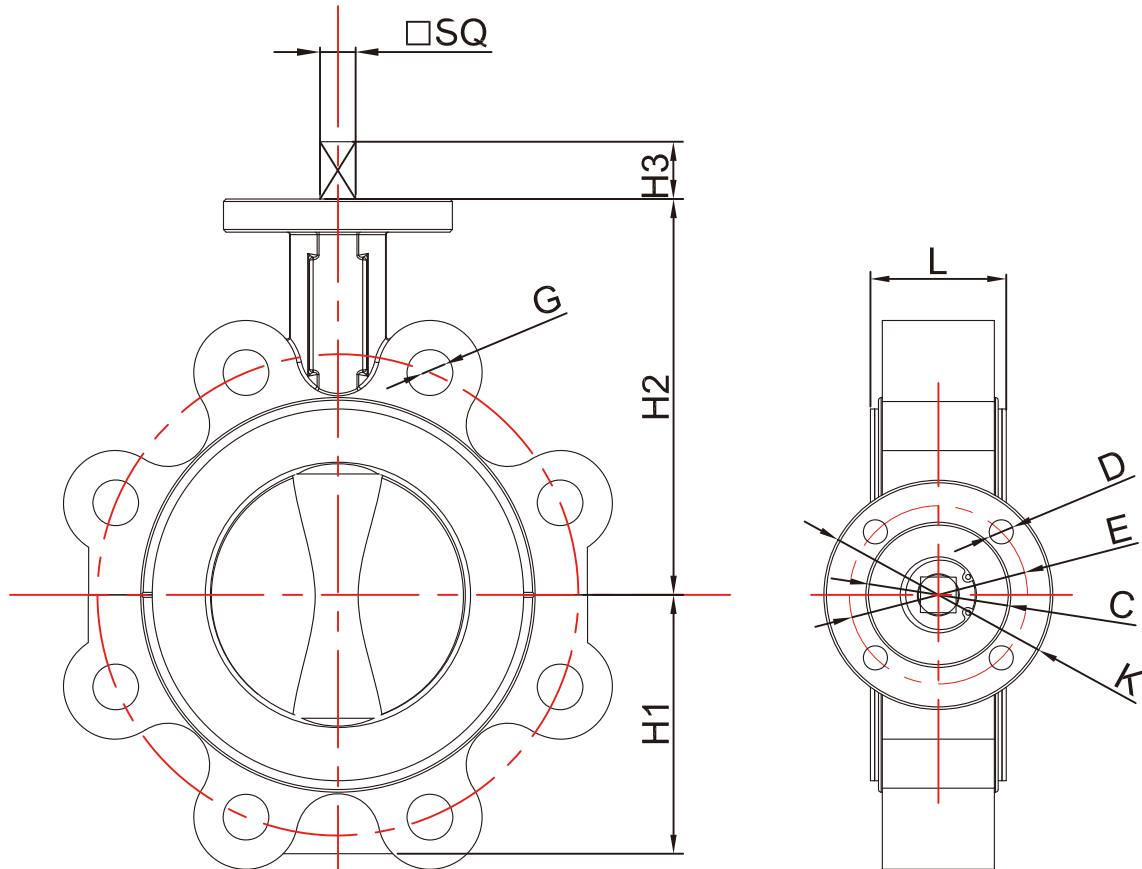
Top Flange: ISO5211

Part List, Material and Dimension



No.	Part	Material
1	Circlip	Steel
2	Bushing	Steel
3	Circlip	Steel
4	Bushing	Steel
5	Sleeve	FRP
6	Body	Ductile Iron
7	Sleeve	FRP
8	Sleeve	FRP
9	Disc	SS304, SS316, WCB+PTFE, SS316+WCB
10	Seat	PTFE
11	Shaft	SS416, SS420, SS304, SS316, PH17-4

Dimension



Size	H1	H2	H3	G(PN10)	G(PN16)	L	□SQ	K	E	C	D
DN50 2"	60	138	32	4-M16	4-M16	47	9x9	65	50	35	4- ϕ 7
DN65 2-1/2"	72	140	32	4-M16	4-M16	50	9x9	65	50	35	4- ϕ 7
DN80 3"	85	140	32	8-M16	8-M16	50	9x9	65	50	35	4- ϕ 7
DN100 4"	102	160	32	8-M16	8-M16	55.5	11x11	90	70	55	4- ϕ 10
DN125 5"	120	175	32	8-M16	8-M16	59	14x14	90	70	55	4- ϕ 10
DN150 6"	137	189	32	8-M20	8-M20	59	14x14	90	70	55	4- ϕ 10
DN200 8"	169	230	32	8-M20	12-M20	63	17x17	90	70	55	4- ϕ 12
DN250 10"	200	260	45	12-M20	12-M24	68	22x22	125	102	72	4- ϕ 12
DN300 12"	230	260	45	12-M20	12-M24	73	22x22	125	102	72	4- ϕ 12