



## Features:

200PSI/PN16

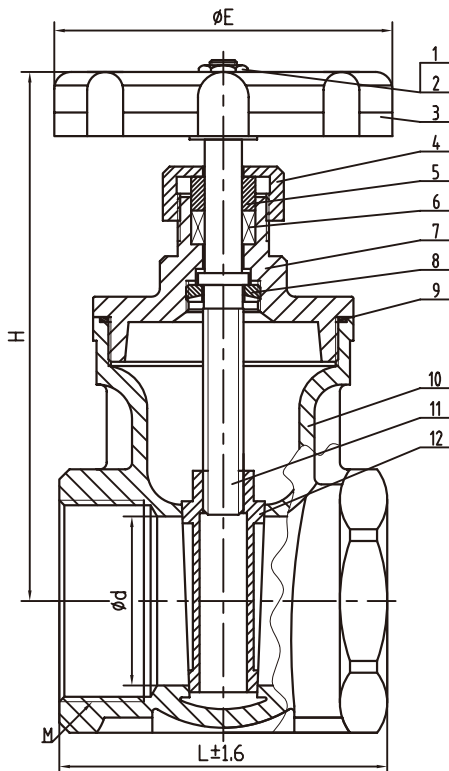
Investment Casting

Thread: ASME B1.20.1 BS21.DIN2999/259,

ISO228-1, JIS B 0203,ISO7/1

Inspection Testing: API598,EN12266

## Part List, Material and Dimension



No.	Part Name	Material
1	Nut	SS304 / SS316
2	Name Brand	Aluminium Alloy
3	Hand Wheel	Aluminium Alloy
4	Gland Nut	CF8 / CF8M
5	Ring	SS304 / SS316
6	Stem Packing	PTFE / RPTFE
7	Bonnet	CF8 / CF8M
8	Stem Holder	SS304 / SS316
9	Gasket	PTFE / RPTFE
10	Body	CF8 / CF8M
11	Stem	SS304 / SS316
12	Disc	CF8 / CF8M

Size		$\varnothing d$	L	H	$\varnothing E$
DN15	1/2"	15	56	95	70
DN20	3/4"	20	61	104	70
DN25	1"	25	66	115	80
DN32	1-1/4"	32	76	131	80
DN40	1-1/2"	38	86	144.5	90
DN50	2"	50	96	162.5	100
DN65	2-1/2"	63	110	210	140
DN80	3"	78	120	240	160
DN100	4"	98	130	270	160