



Feature:

Design: API609, API594, BS5155
 Mss SP-67, ASME16.5,
 AWWA, ISO 5752,
 KSV 7490, JIS F 7480,
 JIS B 2032, JIS B 2064,

Pressure: 125lbs/150lbs
 5K/10K/16K/20K
 PN6/PN10/PN16/PN25/PN40

Flange: KS/JIS 5K/10K/16K/20K
 ANSI B 16.1 Class 125LB
 ANSI B 16.5 Class 150LB
 BS 4504 PN 6, PN10, PN16
 DIN 2501 PN 6, PN10, PN16
 ISO 2084 PN 6, PN10, PN16

Valve Seat Performance

Material	Temperature
EPDM	-35°C ~ +120°C
High Temp. EPDM	-35°C ~ +150°C
Food Grade EPDM	-35°C ~ +110°C
NBR	-12°C ~ +82°C
Abrasive Resistant NBR	-12°C ~ +82°C
Viton	-12°C ~ +135°C
High Temp. Viton	-12°C ~ +250°C

Material	Temperature
Hypalon	-32°C ~ +135°C
Silicon Rubber	-100°C ~ +250°C
Nature Rubber	-50°C ~ +70°C
PTFE over EPDM	+4.4°C ~ +120°C
PTFE over NBR	+4.4°C ~ +90°C
Neoprene	-7°C ~ +93°C

Main Parts and Materials

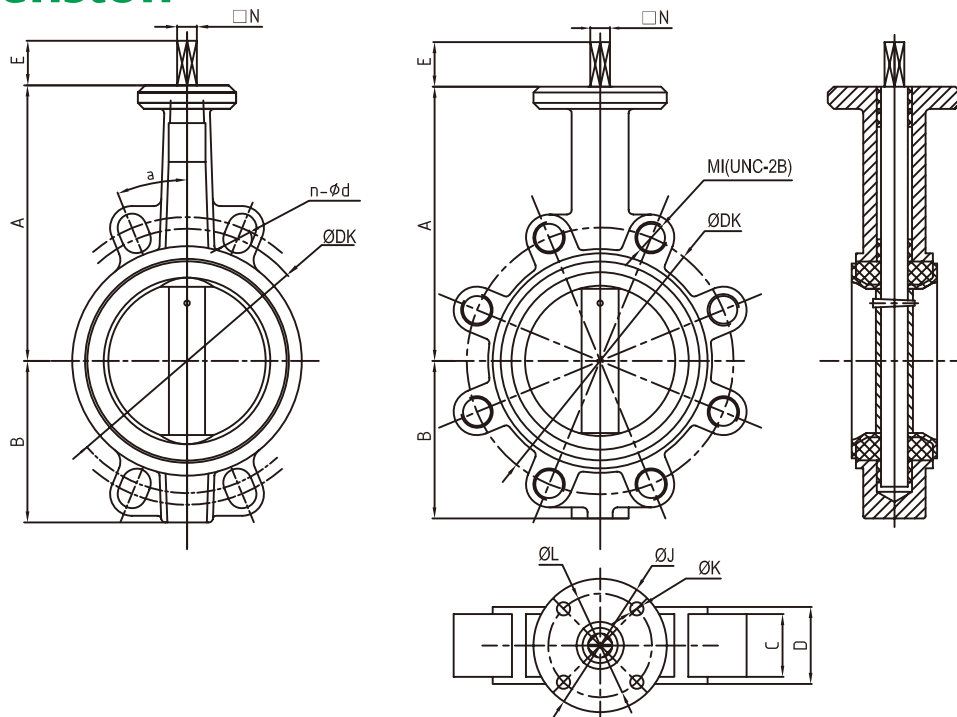
Main Parts	Available Material
Body	GG25
	GGG40
	SS304
	SS316
	C954
	C958
Stem	SS416
	SS420
	SS304
	SS316
	PH17-4

Main Parts	Available Material
Disc	Plastic
	GGG40
	SS304
	SS304L
	SS316
	SS316L
Seat	Duplex Stainless Steel
	C954
	C958
Seat	Rubber Seat
	Metal Seat

Torque List

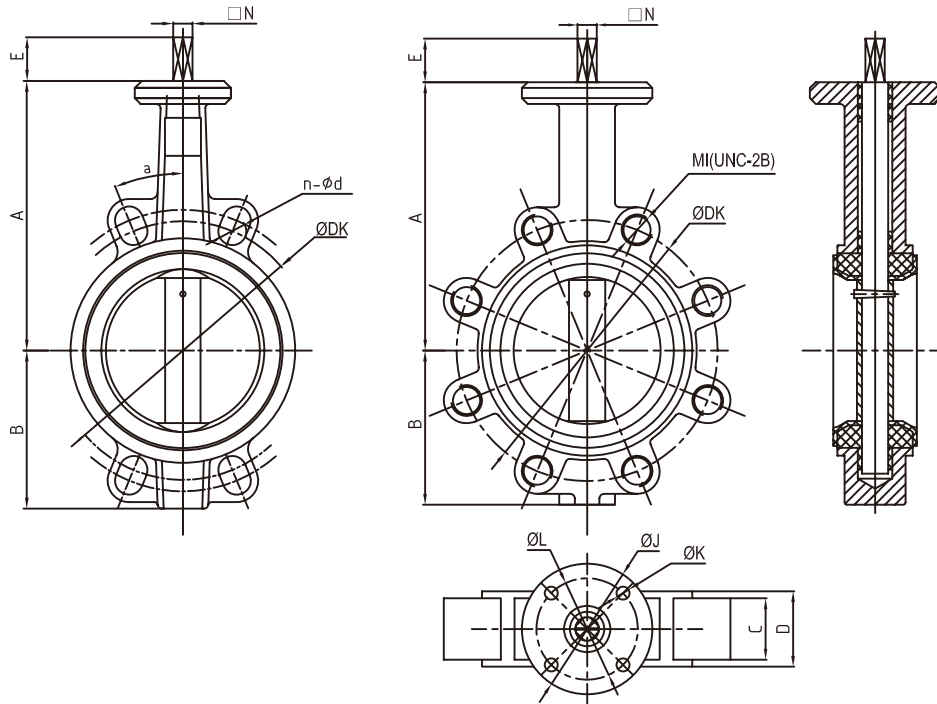
Size		Metal Seat		Soft Seat			Double Eccentric				Double Flange
		10Bar	16Bar	6Bar	10Bar	16Bar	10Bar	16Bar	25Bar	40Bar	16Bar
DN25	1"			7.5	8	9	20	22	24	27	13
DN32	1-1/2"			11	12	13	22	24	27	30	21
DN50	2"	10	13	14.5	15	16	26	28	30	33	28
DN65	2-1/2"	16	21	22	24	25	35	38	42	46	44
DN80	3"	23	28	30	32	34	63	70	77	85	94
DN100	4"	32	44	34	45	53	110	120	132	145	136
DN125	5"	60	94	47	70	86	140	155	170	187	260
DN150	6"	100	136	61	90	114	160	176	195	215	399
DN200	8"	200	260	111	150	217	240	272	305	340	617
DN250	10"	280	399	169	250	333	452	615	830		855
DN300	12"	430	617	258	400	514	775	985	1150		1146
DN350	14"	855		373	729		1135	1340	1560		1616
DN400	16"	1146		483	1017		2160	1750	2160		2174
DN450	18"	1616		596	1752			2550	2960		2500
DN500	20"	2174		779	2000						2700
DN600	24"	2500			2499						3500
DN700	28"	2700			3050						
DN850	32"	3500			4990						
DN900	36"				7100						
DN1000	40"				10910						
DN1200	48"				19636						

Dimension



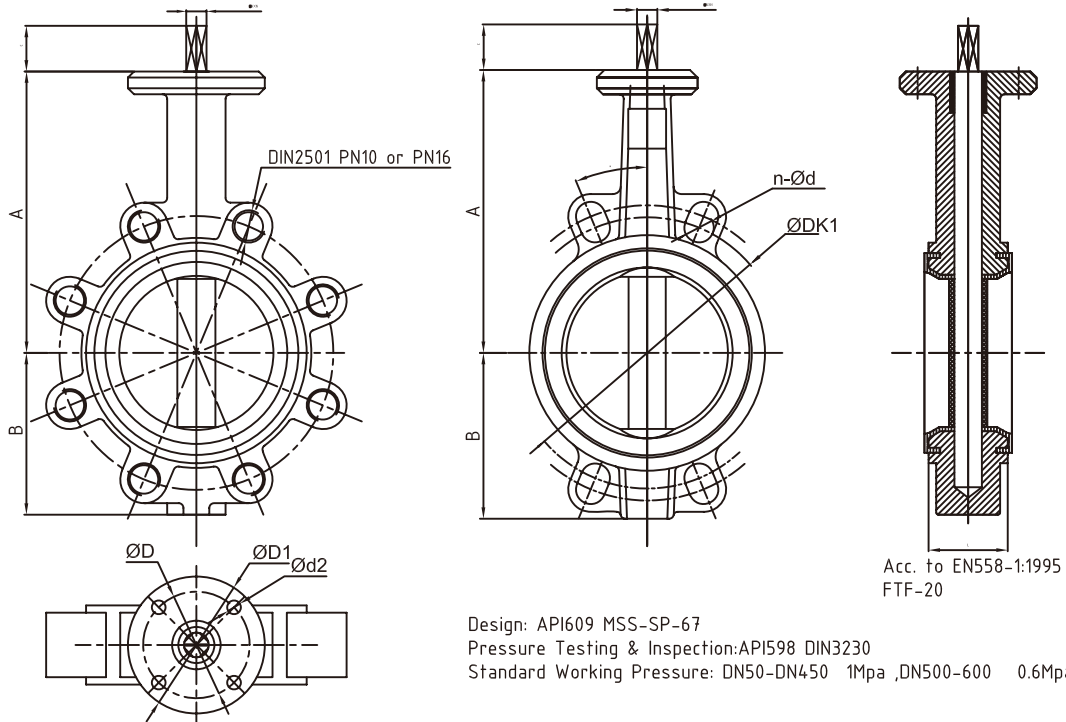
Size	A	B	C	D	E	$\square N$	a	ϕ	$\phi DK \times n \times \phi d$	ϕL	$\phi DK \times n \times MI$	ϕK	Weights(kg)		
													Lug	Wafer	
DN50	2"	162	82	42	46.1	32	11	45°	90	120.65×4×17.5	70	120.65×4×5/8"-11	9.5	3.18	2.72
DN65	2.5"	174.6	90.5	44.2	49.1	32	11	45°	90	139.7×4×17.5	70	139.7×4×5/8"-11	9.5	3.63	3.18
DN80	3"	181	96.5	45	48.4	32	11	45°	90	152.4×4×17.5	70	152.4×4×5/8"-11	9.5	6.35	4.54
DN100	4"	200	114	52	55.3	32	14	22.5°	90	190.5×4×17.5	70	190.5×8×5/8"-11	9.5	11.79	5.9
DN125	5"	212.7	128	54.4	58.8	32	14	22.5°	90	215.9×4×20.64	70	215.9×8×3/4"-10	9.5	12.7	8.16
DN150	6"	225.4	141	55.7	59.1	32	17	22.5°	90	241.3×4×20.64	70	241.3×8×3/4"-10	9.5	14.06	9.07
DN200	8"	260.4	179	60.5	64.1	45	17	22.5°	150	298.45×4×20.64	102 (125)	298.45×8×3/4"-10	11.1 (14.3)	22.23	14.51
DN250	10"	292	204	66.5	71.8	47.6	22	15°	150	361.95×4×23.81	102 (125)	361.95×12×7/8"-9	11.1 (14.3)	32.66	19.05
DN300	12"	336.6	241.5	76.9	81	47.6	22	15°	150	431.8×4×23.81	125	431.8×12×7/8"-9	14.3	47.63	31.75
DN350	14"	368.3	267.5	76.9	81	47.6	27	15°	150	476.25×4×26.99	125	476.25×12×1"-8	14.3	70.31	43.09
DN400	16"	400	318	85.7	90	50.8	27	11.25°	150	539.75×4×27	125	539.75×16×1"-8	14.3	88.45	53.07
DN450	18"	422	336	104	109	50.8	36	11.25°	210	577.85×4×31.75	165	577.85×16×1/8"-7	20.7	104.3	74.84
DN500	20"	479	372	128	132	63.5	36	9°	210	635×4×31.75	165	635×20×1/8"-7	20.7	179.6	124.7
DN600	24"	562	460	151	158	69.9	50	9°	210	749.3×4×34.93	165	749.3×20×1/4"-7	20.7	276.7	199.6

Dimension



Size	L	A	B	C	□N	φD×n×φd2	φD1	Weights(kg)		
								Wafer	Lug	
DN40	1.5"	36	61	130	32	9	50×4×7	65	2.4	2.6
DN50	2"	43	83	130	32	11	70×4×9	90	2.8	4.2
DN65	2.5"	46	95	140	32	11	70×4×9	90	3.2	5
DN80	3"	46	102	145	32	11	70×4×9	90	4.3	6.5
DN100	4"	52	124	160	32	14	70×4×9	90	5.4	8
DN125	5"	56	137	170	32	14	70×4×9	90	7.5	10.2
DN150	6"	56	149	190	32	17	70×4×9	90	9.3	12
DN200	8"	60	181	220	45	17	102×4×11	125	12.8	19
DN250	10"	68	210	260	45	22	102×4×11	125	24.5	28.2
DN300	12"	78	248	290	45	22	125×4×14	150	31	44
DN350	14"	92	279	320	45	27	125×4×14	150	46.5	68
DN400	16"	102	305	350	50	27	165×4×22	210	53	89
DN450	18"	114	365	380	50	36	165×4×22	210	75	105
DN500	20"	127	371	420	64	36	165×4×22	210	125	180
DN600	24"	154	457	470	70	50	254×8×18	300	200	277
DN700	28"	165	520	624	100	50	254×8×18	300	216	296
DN800	32"	190	591	672	120	61	254×8×18	300	260	340
DN900	36"	203	623	768	130	68	254×8×18	300	365	480
DN1000	40"	216	665	823	130	68	254×8×18	300	470	620
DN1200	48"	254	755	880	156	68	298×8×22	350	680	900

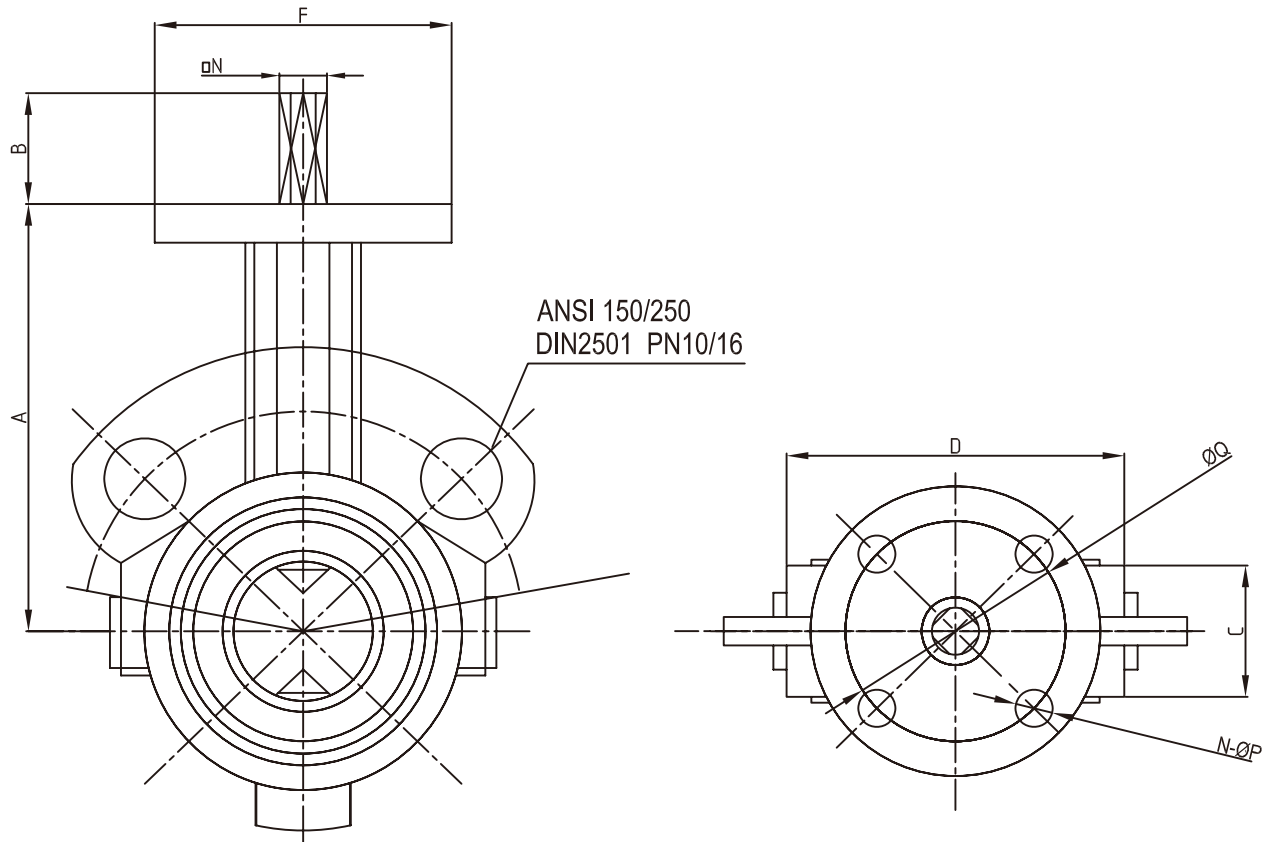
Dimension



Acc. to ISO5211 Part 1

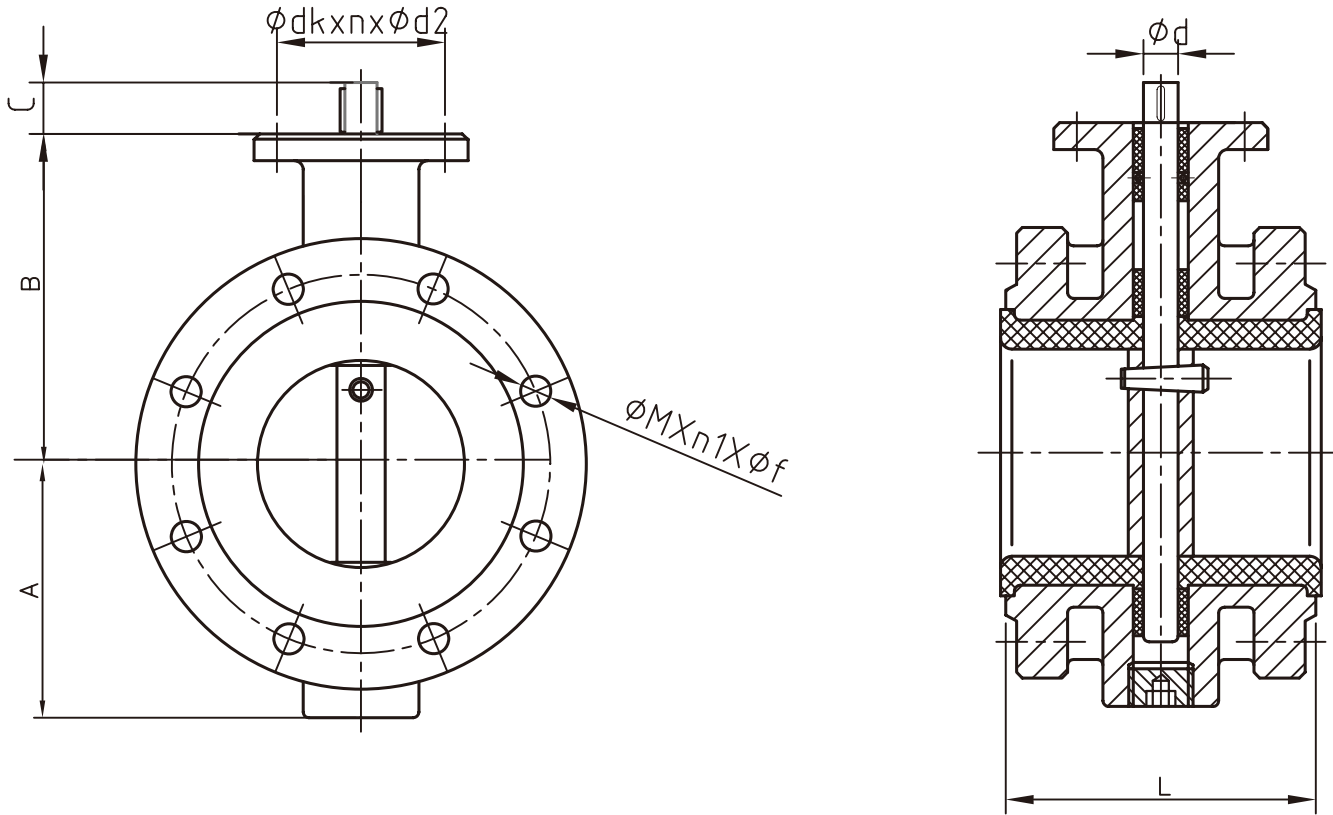
Size	L	A	B	C	$\square N$	$\phi D \times n \times \phi d2$	$\phi D1$	Weights(kg)		
								wafer	Lug	
DN40	1.5"	36	130	61	32	9X9	50 x 4 x 7	65	2.4	2.6
DN50	2"	43	130	83	32	11X11	70 x 4 x 9	90	2.8	4.2
DN65	2.5"	46	140	95	32	11X11	70 x 4 x 9	90	3.2	5
DN80	3"	46	145	102	32	11X11	70 x 4 x 9	90	4.3	6.5
DN100	4"	52	160	124	32	14X14	70 x 4 x 9	90	5.4	8
DN125	5"	56	170	137	32	14X14	70 x 4 x 9	90	7.5	10.2
DN150	6"	56	190	149	32	17X17	70 x 4 x 9	90	9.3	12
DN200	8"	60	220	181	45	17X17	102 x 4 x 11	125	12.8	19
DN250	10"	68	260	210	45	22X22	102 x 4 x 11	125	24.5	28.2
DN300	12"	78	290	248	45	22X22	125 x 4 x 14	150	31	44
DN350	14"	92	320	279	45	27X27	125 x 4 x 14	150	46	68
DN400	16"	102	350	305	50	27X27	165 x 4 x 22	210	55	90
DN450	18"	114	380	365	50	36X36	165 x 4 x 22	210	76	108
DN500	20"	127	420	371	64	36X36	165 x 4 x 22	210	128	180

Dimension



Valve Size		Valve Body(mm)					Top Flange Table(mm)			
		A	B	C	D	□N	ISO5211	φQ	F	N-φR
DN25	1"	90	25.4	30	61	9X9	F05	50	65	4-φ7
DN40	1.5"	104	25.4	32	81	9X9	F05	50	65	4-φ7
DN50	2"	140	32	41.1	94	11X11	F07	70	90	4-φ10
DN65	2.5"	152	32	44.5	106	11X11	F07	70	90	4-φ10
DN80	3"	159	32	44.5	124	11X11	F07	70	90	4-φ10
DN100	4"	178	32	51	154	14X14	F07	70	90	4-φ10
DN125	5"	190	32	54	181	14X14	F07	70	90	4-φ10
DN150	6"	203	32	54	206	17X17	F07	70	90	4-φ10
DN200	8"	241	32	63.5	267	17X17	F12	125	150	4-φ10
DN250	10"	273	50	63.5	324	22X22	F12	125	150	4-φ14
DN300	12"	311	50	76.2	378	22X22	F12	125	150	4-φ14

Dimension



Size	L	A	B	C	φd	φdk x n x φd2	PN10	PN16	
							φDK x n x φd1	φM x n1 x φ	
DN50	2"	108	83	130	32	12	φ70 x 4 x φ9	φ125 x 4 x 18	φ125 x 4 x 18
DN65	2.5"	112	95	140	32	12	φ70 x 4 x φ9	φ145 x 8 x 18	φ145 x 8 x 18
DN80	3"	114	102	145	32	12	φ70 x 4 x φ9	φ160 x 8 x 18	φ160 x 8 x 18
DN100	4"	127	124	160	32	14	φ70 x 4 x φ9	φ180 x 8 x 18	φ180 x 8 x 18
DN125	5"	140	137	170	32	18	φ70 x 4 x φ9	φ210 x 8 x 18	φ210 x 8 x 18
DN150	6"	140	149	190	32	18	φ70 x 4 x φ9	φ240 x 8 x 22	φ240 x 8 x 22
DN200	8"	152	181	220	45	22	φ102 x 4 x φ11	φ295 x 8 x 22	φ295 x 12 x 22
DN250	10"	165	210	260	45	25	φ102 x 4 x φ11	φ350 x 12 x 22	φ355 x 12 x 26
DN300	12"	178	248	290	45	30	φ125 x 4 x φ14	φ400 x 12 x 22	φ410 x 12 x 26
DN350	14"	190	279	320	45	30	φ125 x 4 x φ14	φ450 x 16 x 22	φ470 x 16 x 26
DN400	16"	216	305	350	50	32	φ165 x 4 x φ22	φ515 x 16 x 26	φ525 x 16 x 30
DN450	18"	222	365	380	50	35	φ165 x 4 x φ22	φ565 x 20 x 26	φ595 x 20 x 30
DN500	20"	229	371	420	60	40	φ165 x 4 x φ22	φ620 x 20 x 26	φ660 x 20 x 33
DN600	24"	267	415	540	70	50	φ165 x 4 x φ22	φ725 x 20 x 30	φ770 x 20 x 36
DN700	28"	292	515	565	72	55	φ254 x 8 x φ18	φ840 x 24 x 30	φ840 x 24 x 36
DN800	32"	318	565	640	72	55	φ254 x 8 x φ18	φ950 x 24 x 33	φ950 x 24 x 39
DN900	36"	330	605	680	77	75	φ254 x 8 x φ18	φ1050 x 28 x 33	φ1050 x 28 x 39
DN1000	40"	410	685	760	85	85	φ254 x 8 x φ18	φ1160 x 28 x 36	φ1170 x 28 x 42