



## Feature:

Design and Manf. :API600, ASME B16.34

Press-Temp. Rating: ASME B16.34

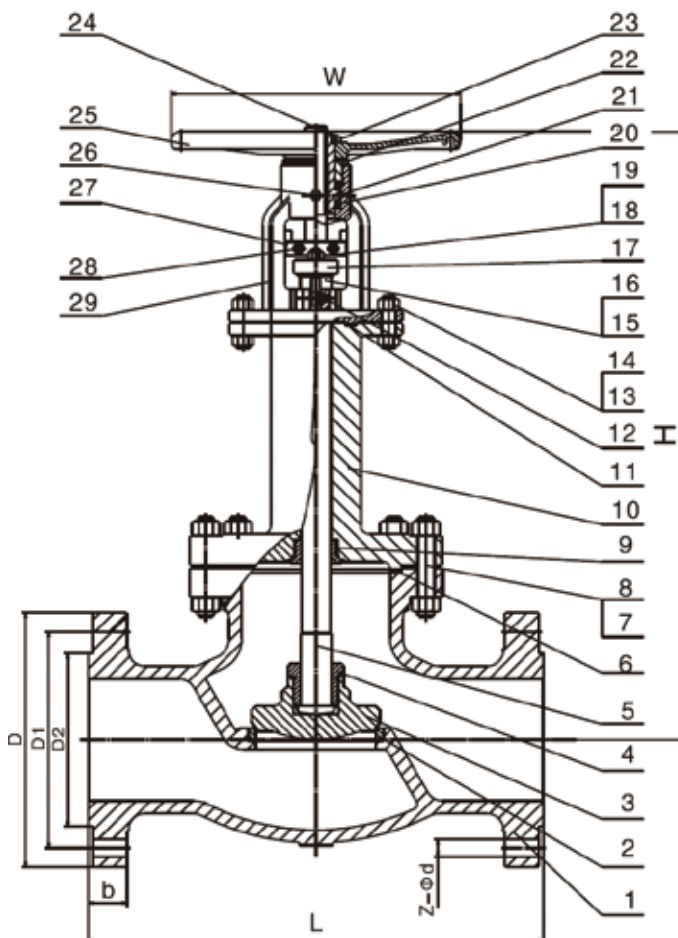
Face to Face: ASME B16.10

End to End: ASME B16.10

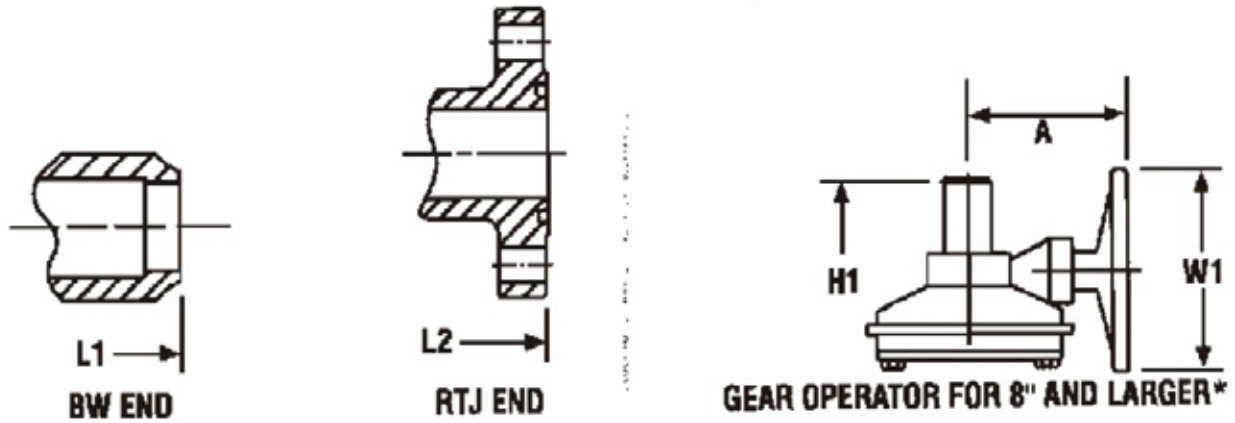
Connection: ASME B16.5/B16.25

Test and Inspection: API598

## Part List, Material and Dimension



No.	Part	Material
1	Body	A216 WCB
2	Seat Ring	A105+Stellite
3	Disc	A216 WCB+Stellite
4	Disc Stem Nut	A182 F6a
5	Stem	A182 F6a
6	Gasket	304+Graphite
7	Bonnet Bolt	A193 B7
8	Bonnet Nut	A194 GR 2H
9	Back Seat	A182 F6a
10	Bonnet	A216 WCB
11	Gasket	304+Graphite
12	Eye Bolt Pin	A194 GR 2H
13	Yoke Nut	A194 GR 2H
14	Yoke Bolt	A193 B7
15	Packing	Flexible Graphite
16	Packing Gland	A182 F6a
17	Gland	A216 WCB
18	Eye Bolt Pin	A193 B7
19	Nut	A194 GR 2H
20	Bearing	Steel
21	Stem Nut	Bronze
22	Thrust Nut	1035
23	Lock Nut	1035
24	Lock Bolt	1035
25	Wheel	Ductile Iron
26	Grease Nipple	H62
27	Fixed Block	1035
28	Bolt	A193 B7
29	Yoke	A216 WCB



Size		L		L1		L2		W		W1		H		H1		A	
		Inch	mm	Inch	mm	Inch	mm	Inch	mm	Inch	mm	Inch	mm	Inch	mm	Inch	mm
DN50	2"	8	203.2	8	203.2	8.5	215.9	8	200	-	-	14	356.1	-	-	-	-
DN65	2-1/2"	8.5	215.9	8.5	215.9	9	228.6	10	250	-	-	16.5	420.1	-	-	-	-
DN80	3"	9.5	241.3	9.5	241.3	10	254	10	250	-	-	16.2	411	-	-	-	-
DN100	4"	11.5	292.1	11.5	292.1	12	304.8	12	300	-	-	18.7	475	-	-	-	-
DN130	5"	14	355.6	14	355.6	14.5	368.3	14	350	-	-	21.3	540	-	-	-	-
DN150	6"	16	406.4	16	406.4	16.5	419.1	16	400	12	305	21.7	549.9	22.8	579.9	9.45	240
DN200	8"	19.5	495.3	19.5	495.3	20	508	18	450	18	460	24.2	614.9	21.9	557	14.2	359.9
DN250	10"	24.5	622.3	24.5	622.3	25	635	18	450	18	460	29.5	749	26.3	669	14.2	359.9
DN300	12"	27.5	698.5	27.5	698.5	28	711.2	25	640	18	460	36.3	922	33.9	860	14.2	359.9

Size		WT(RF)		WT(BW)		WT(RF&GO)		WT(BW&GO)		CV Factor
		lbs	kg	lbs	kg	lbs	kg	lbs	kg	
DN50	2"	46.67	21	37.78	17	-	-	-	-	-
DN65	2-1/2"	66.67	30	48.89	22	-	-	-	-	80
DN80	3"	82.22	37	64.44	29	-	-	-	-	110
DN100	4"	126.67	57	102.22	46	-	-	-	-	185
DN130	5"	173.33	78	148.89	67	-	-	-	-	
DN150	6"	222.22	100	191.11	86	271.11	122	240	108	440
DN200	8"	346.67	156	297.78	134	357.78	161	353.33	159	830
DN250	10"	580	261	504.44	227	684.44	308	608.89	274	1035
DN300	12"	684.44	308	604.44	272	989	445	908.89	409	2065



## Feature:

Design and Manf. :API600, ASME B16.34

Press-Temp. Rating: ASME B16.34

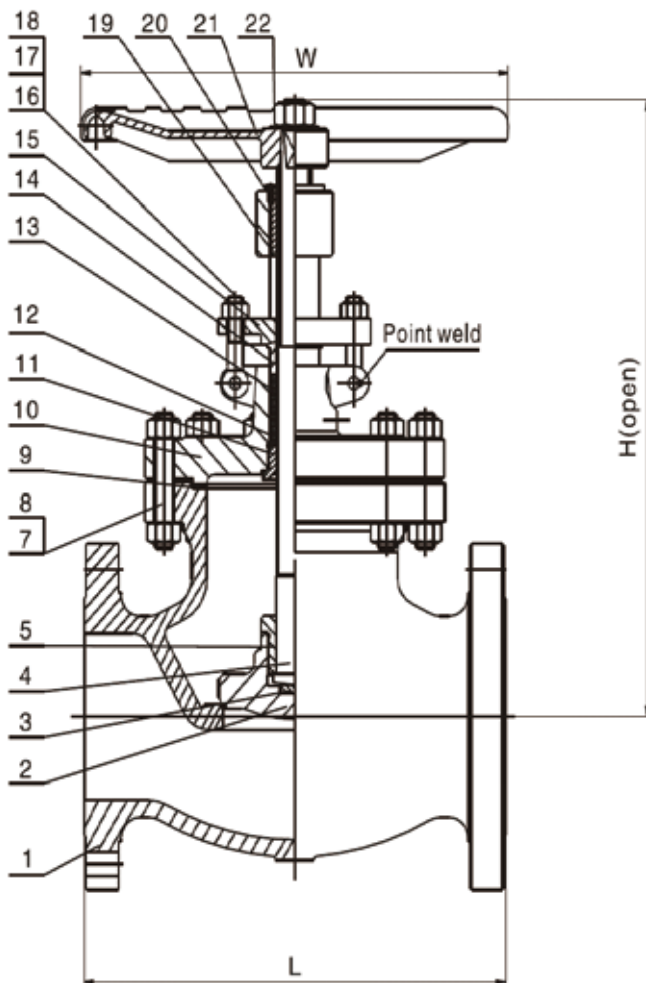
Face to Face: ASME B16.10

End to End: ASME B16.10

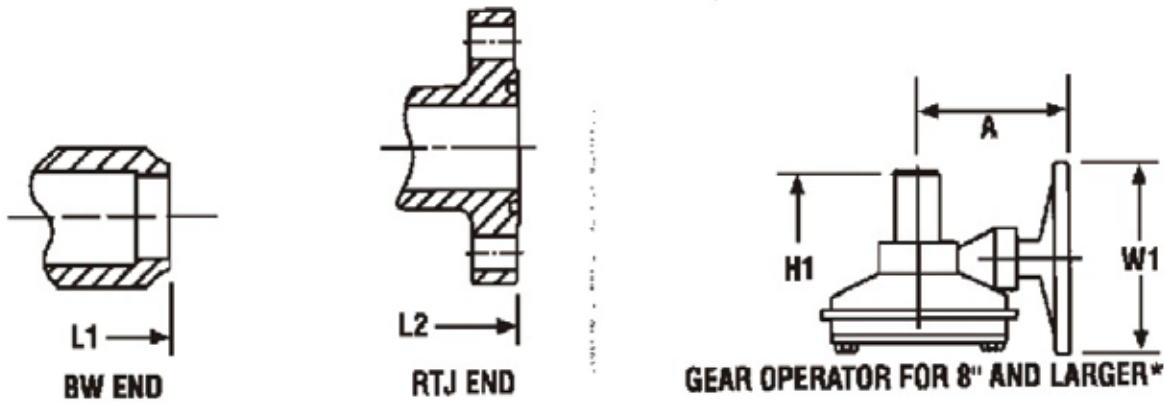
Connection: ASME B16.5/B16.25

Test and Inspection: API598

## Part List, Material and Dimension



No.	Part	Material
1	Body	A216 WCB
2	Seat Ring	A105+Stellite
3	Disc	A105, 13% CR
4	Disc Thrust Plate	A182 F16a
5	Disc Stem Nut	A182 F16a
6	Stem	A182 F16a
7	Gasket	Spiral SS Graphith
8	Bonnet	A216 WCB
9	Back Seat	A182 F6a
10	Packing	Graphite
11	Bonnet Bolt	A193 GR.B7
12	Bonnet Nut	A194 GR 2H
13	Eye Bolt Pin	Steel
14	Packing Gland	A182 F6a
15	Gland Eye Bolt	A193 GR.B7
16	Gland Flange	A216 WCB
17	Eye Bolt Nut	A194 GR 2H
18	Yoke Sleeve	A439 GR D2
19	Set Screw	Steel
20	Wheel	Ductile Iron
21	Washer	Steel
22	Wheet Nut	Steel



Size		L		L1		L2		W		W1		H		H1		A	
		Inch	mm	Inch	mm	Inch	mm	Inch	mm	Inch	mm	Inch	mm	Inch	mm	Inch	mm
DN50	2"	8.5	215.9	8.5	215.9	9.12	231.7	8	200	-	-	16.9	430	-	-	-	-
DN65	2-1/2"	9.5	241.3	9.5	241.3	10.1	257.1	8	200	-	-	20.7	525	-	-	-	-
DN80	3"	11.1	282.5	11.1	282.5	11.8	298.5	10	250	-	-	21.9	555	-	-	-	-
DN100	4"	12	304.8	12	304.8	12.6	320.6	10	250	-	-	24.4	620	-	-	-	-
DN130	5"	15	381	15	381	15.6	396.8	14	350	-	-	31.1	790	-	-	-	-
DN150	6"	15.9	403.4	15.9	403.4	16.5	419.1	14	350	12	305	31.7	805	32.9	834.9	8.66	220
DN200	8"	16.5	419.1	16.5	419.1	17.1	434.9	16	400	12	305	39.6	1005	40.8	1035	8.66	220
DN250	10"	18	457.2	18	457.2	18.6	473	18	450	12	305	49.4	1230	50.1	1272	8.66	220
DN300	12"	19.8	501.7	19.8	501.7	20.4	517.4	20	500	18	460	57.7	1465	58.2	1479	10.5	267
DN350	14"	30	762	30	762	30.6	777.8	25	640	18	460	62	1575	64.2	1630	14.2	359.9
DN400	16"	33	838.2	33	838.2	33.6	854	25	640	18	460	69.2	1758	71.5	1815	14.2	359.9
DN450	18"	36	914.4	36	914.4	36.6	930.2	27	680	21	540	77.7	1974	79.2	2011	14.2	359.9
DN500	20"	39	990.6	39	990.6	39.8	1010	30	760	21	540	85.3	2167	87.6	2225	16.2	411
DN600	24"	45	1143	45	1143	45.9	1165	35	900	24	610	112	2837	105	2667	16.2	411

Size		WT(RF)		WT(BW)		WT(RF&GO)		WT(BW&GO)		CV Factor
		lbs	kg	lbs	kg	lbs	kg	lbs	kg	
DN50	2"	62.22	27.999	48.89	22.0005	-	-	-	-	-
DN65	2-1/2"	80	36	60	27	-	-	-	-	410
DN80	3"	113.33	50.9985	88.89	40.0005	-	-	-	-	710
DN100	4"	173.33	77.9985	133.33	59.9985	-	-	-	-	1300
DN130	5"	237.78	107.001	191.11	85.9995	-	-	-	-	-
DN150	6"	320	144	251.11	112.9995	368.89	166.0005	300	135	3110
DN200	8"	506.67	228.0015	406.67	183.0015	555.56	250.002	455.56	205.002	5720
DN250	10"	711.11	319.9995	564.44	253.998	760	342	613.33	275.9985	8935
DN300	12"	1000	450	795.56	358.002	1066.67	480.0015	862.22	387.999	13350
DN350	14"	1542.22	693.999	1280	576	1904.44	856.998	1642.22	738.999	-
DN400	16"	2400	1080	2077.78	935.001	2640.44	1188.198	2282.22	1026.999	21560
DN450	18"	2744.22	1234.899	2342.22	1053.999	3295.56	1483.002	2893.33	1301.999	36091
DN500	20"	3677.78	1655.001	3184.44	1432.998	4113.33	1850.999	3620	1629	47615
DN600	24"	5155.56	2320.002	4364.44	1963.998	5853.33	2633.999	5062.22	2277.999	67862



## Feature:

Design and Manf. :API600, ASME B16.34

Press-Temp. Rating: ASME B16.34

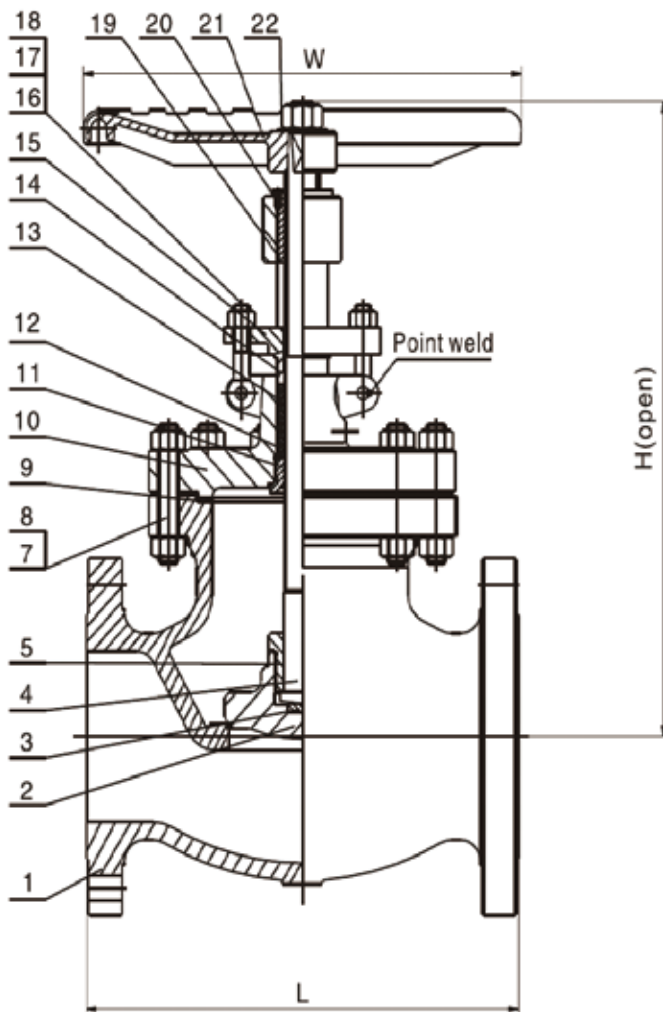
Face to Face: ASME B16.10

End to End: ASME B16.10

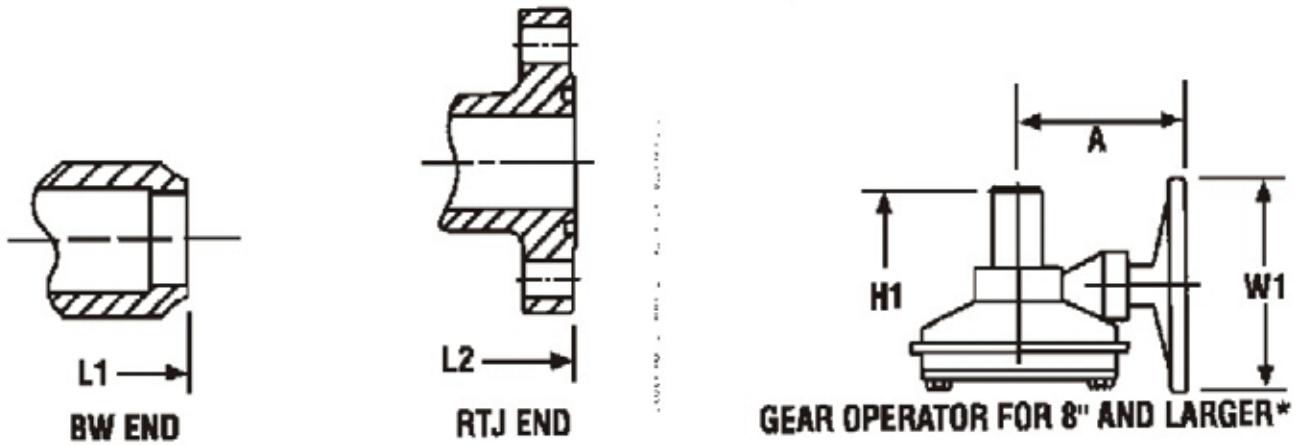
Connection: ASME B16.5/B16.25

Test and Inspection: API598

## Part List, Material and Dimension



No.	Part	Material
1	Body	A216 WCB
2	Seat Ring	A105+Stellite
3	Wedge	A216 WCB, 13% CR
4	Stem	A182 F16a
5	Bonnet Bolt	A193 B7
6	Bonnet Nut	A194 2H
7	Gasket	Iron
8	Bonnet	A216 WCB
9	Back Seat	A182 F6a
10	Packing	Graphite
11	Eye Bolt Pin	Steel
12	Gland Eye Bolt	A193 GR.B7
13	Packing Gland	A182 F6a
14	Flange Gland	A216 WCB
15	Eye Bolt Nut	A194 GR 2H
16	Grease Nipple	Steel
17	Yoke Sleeve	A439 GR D2
18	Sleeve Nut	Steel
19	Wheel	Ductile Iron
20	Wheel Nut	Steel
21	Set Screw	Steel
22	Bearing	Steel



Size		L		L1		L2		W		W1		H		H1		A	
		Inch	mm	Inch	mm	Inch	mm	Inch	mm	Inch	mm	Inch	mm	Inch	mm	Inch	mm
DN50	2"	11.5	292.1	11.5	292.1	11.6	295.15	10	250	-	-	18.3	465.07	-	-	-	-
DN65	2-1/2"	13	330.2	13	330.2	13.1	333.25	10	250	-	-	20.9	531.88	-	-	-	-
DN80	3"	14	355.6	14	355.6	14.1	358.65	10	250	-	-	21.9	554.99	-	-	-	-
DN100	4"	17	431.8	17	431.8	17.1	434.85	14	350	-	-	27	685.04	-	-	-	-
DN130	5"	20	508	20	508	20.1	511.05	16	400	-	-	31.3	795.02	-	-	-	-
DN150	6"	22	558.8	22	558.8	22.1	561.85	18	450	12	305	35.8	910.08	45.6	1155	9.45	240.03
DN200	8"	26	660.4	26	660.4	26.1	663.45	20	500	18	460	45.1	1145	46.3	1175	10.2	260.1
DN250	10"	31	787.4	31	787.4	31.1	790.45	24	600	24	610	49.9	1268	52.4	1329.9	12.6	320.04

Size		WT(RF)		WT(BW)		WT(RF&GO)		WT(BW&GO)		CV Factor
		lbs	kg	lbs	kg	lbs	kg	lbs	kg	
DN50	2"	91.11	40.9995	75.56	34.002	-	-	-	-	-
DN65	2-1/2"	126.67	57.0015	104.44	46.998	-	-	-	-	390
DN80	3"	160	72	128.89	58.0005	-	-	-	-	561
DN100	4"	284.44	127.998	220	99	-	-	-	-	1235
DN130	5"	444.44	199.998	344.44	154.998	-	-	-	-	-
DN150	6"	591.11	265.9995	464.44	208.998	640	288	513.33	230.9985	3406
DN200	8"	931.11	418.9995	746.67	336.0015	997.78	449.001	813.33	365.9985	6761
DN250	10"	1675.56	754.002	1368.89	616.0005	1786.67	804.0015	1480	666	10565