



Feature:

Design and Manf. :API600, ASME B16.34

Press-Temp. Rating: ASME B16.34

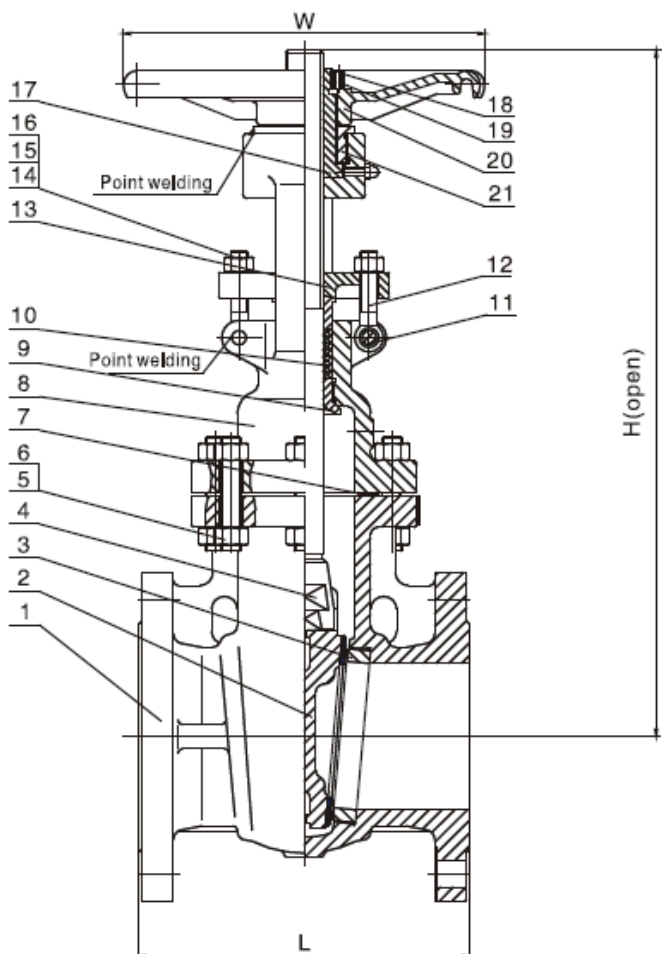
Face to Face: ASME B16.10

End to End: ASME B16.10

Connection: ASME B16.5/B16.25

Test and Inspection: API598

Part List, Material and Dimension



No.	Part	Material
1	Body	A216 WCB
2	Seat Ring	A105+Stellite
3	Wedge	A216 WCB, 13% CR
4	Stem	A182 F16a
5	Bonnet Bolt	A193 B7
6	Bonnet Nut	A194 2H
7	Gasket	316 Graphith Corrugated
8	Bonnet	A216 WCB
9	Back Seat	A182 F6a
10	Packing	Graphite
11	Eye Bolt Pin	Steel
12	Gland Eye Bolt	A193 GR.B7
13	Packing Gland	A182 F6a
14	Flange Gland	A216 WCB
15	Eye Bolt Nut	A194 GR 2H
16	Grease Nipple	Steel
17	Yoke Sleeve	A439 GR D2
18	Sleeve Nut	Steel
19	Wheel	Ductile Iron
20	Wheel Nut	Steel
21	Set Screw	Steel
22	Bearing	Steel



Size		L		L1		L2		W		W1		H		H1		A	
		Inch	mm	Inch	mm	Inch	mm	Inch	mm	Inch	mm	Inch	mm	Inch	mm	Inch	mm
DN50	2"	7	178	8.5	216	7.5	191	8	200	-	-	16.7	423	-	-	-	-
DN65	2-1/2"	7.5	191	9.5	241	8	203	8	200	-	-	19.5	495	-	-	-	-
DN80	3"	8	203	11.1	282	8.5	216	10	250	-	-	20.5	520	-	-	-	-
DN100	4"	9	229	12	305	9.5	241	10	250	-	-	23.5	596	-	-	-	-
DN130	5"	10	254	15	381	10.5	267	10	250	-	-	28	711	-	-	-	-
DN150	6"	10.5	267	15.9	403	11	279	12	300	-	-	29.8	759	-	-	-	-
DN200	8"	11.5	292	16.5	419	12	205	14	350	12	305	39	995	42.1	1070	8.66	220
DN250	10"	13	330	18	457	13.5	343	16	400	12.2	305	26.5	1180	50.8	1289	8.66	220
DN300	12"	14	356	19.8	502	14.5	368	20	500	12.2	305	56	1432	59.4	1509	8.66	220
DN350	14"	15	381	22.5	572	15.5	394	20	500	12.2	305	60.5	1535	63.5	1614	14.2	360
DN400	16"	16	406	24	610	16.5	419	24	600	12.4	310	71.3	1811	72.4	1840	14.2	360
DN450	18"	17	432	26	660	17.5	445	25	625	18.1	460	79	2009	79.2	2012	14.2	360
DN500	20"	18	457	28	711	18.5	470	26	650	18.1	460	87.8	2230	85.8	2180	16.2	411
DN600	24"	20	508	32	813	20.5	521	30	750	18.1	460	104	2641	101	2560	16.2	411

Size		WT(RF)		WT(BW)		WT(RF&GO)		WT(BW&GO)		CV Factor
		lbs	kg	lbs	kg	lbs	kg	lbs	kg	
DN50	2"	47	21	40	18	-	-	-	-	-
DN65	2-1/2"	62	28	47	21	-	-	-	-	410
DN80	3"	80	36	67	30	-	-	-	-	710
DN100	4"	118	53	98	44	-	-	-	-	1300
DN130	5"	133	60	120	54	-	-	-	-	-
DN150	6"	187	84	169	76	-	-	-	-	3110
DN200	8"	309	139	280	126	358	161	329	148	5720
DN250	10"	447	201	398	179	496	223	447	201	8935
DN300	12"	711	320	673	303	760	342	722	325	13350
DN350	14"	956	430	884	398	1000	450	929	418	-
DN400	16"	1218	548	1131	509	1262	568	1176	529	21560
DN450	18"	1653	744	1578	710	1720	774	1644	740	36091
DN500	20"	2482	1117	2393	1077	2549	1147	2460	1107	47615
DN600	24"	3258	1466	3169	1426	3324	1496	3236	1456	67862



Feature:

Design and Manf.: API600, ASME B16.34

Press-Temp. Rating: ASME B16.34

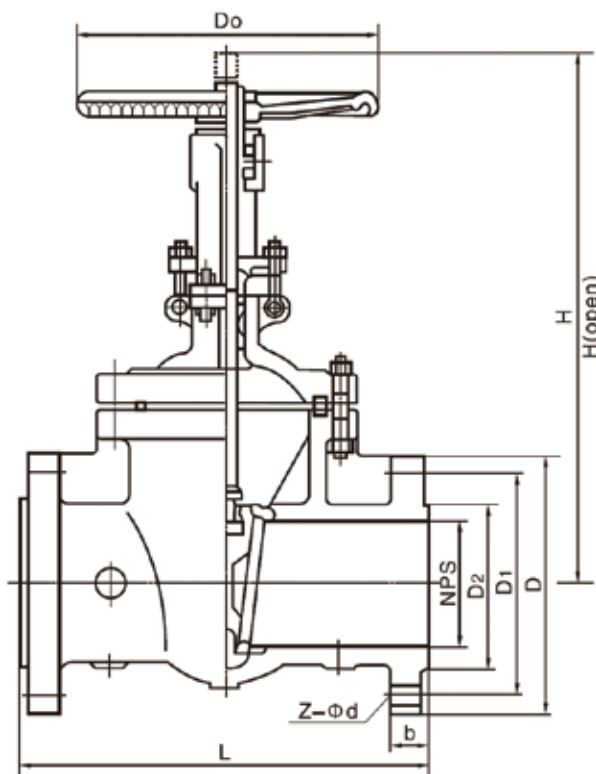
Face to Face: ASME B16.10

End to End: ASME B16.10

Connection: ASME B16.5/B16.25

Test and Inspection: API598

Part List, Material and Dimension



No.	Part	Material
1	Body	A216 WCB
2	Seat Ring	A105+Stellite
3	Wedge	A216 WCB, 13% CR
4	Stem	A182 F16a
5	Bonnet Bolt	A193 B7
6	Bonnet Nut	A194 2H
7	Gasket	Spiral SS Graphith
8	Bonnet	A216 WCB
9	Back Seat	A182 F6a
10	Packing	Graphite
11	Eye Bolt Pin	Steel
12	Gland Eye Bolt	A193 GR.B7
13	Packing Gland	A182 F6a
14	Flange Gland	A216 WCB
15	Eye Bolt Nut	A194 GR 2H
16	Grease Nipple	Steel
17	Yoke Sleeve	A439 GR D2
18	Sleeve Nut	Steel
19	Wheel	Ductile Iron
20	Wheel Nut	Steel
21	Set Screw	Steel
22	Bearing	Steel



Size		L		L1		L2		W		W1		H		H1		A	
		Inch	mm	Inch	mm	Inch	mm	Inch	mm	Inch	mm	Inch	mm	Inch	mm	Inch	mm
DN50	2"	8.5	216	8.5	216	9.12	232	8	200	-	-	16.9	430	-	-	-	-
DN65	2-1/2"	9.5	241	9.5	241	10.1	257	8	200	-	-	20.7	525	-	-	-	-
DN80	3"	11.1	282	11.1	282	11.8	298	10	250	-	-	21.9	555	-	-	-	-
DN100	4"	12	305	12	305	12.6	321	10	250	-	-	24.4	620	-	-	-	-
DN130	5"	15	381	15	381	15.6	397	14	350	-	-	31.1	790	-	-	-	-
DN150	6"	15.9	403	15.9	403	16.5	419	14	350	12	305	31.7	805	32.9	835	8.66	220
DN200	8"	16.5	419	16.5	419	17.1	435	16	400	12	305	39.6	1005	40.8	1035	8.66	220
DN250	10"	18	457	18	457	18.6	473	18	450	12	305	49.4	1230	50.1	1272	8.66	220
DN300	12"	19.8	502	19.8	502	20.4	517	20	500	18	460	57.7	1465	58.2	1479	10.5	267
DN350	14"	30	762	30	762	30.6	778	25	640	18	460	62	1575	64.2	1630	14.2	360
DN400	16"	33	838	33	838	33.6	854	25	640	18	460	69.2	1758	71.5	1815	14.2	360
DN450	18"	36	914	36	914	36.6	930	27	680	21	540	77.7	1974	79.2	2011	14.2	360
DN500	20"	39	991	39	991	39.8	1010	30	760	21	540	85.3	2167	87.6	2225	16.2	411
DN600	24"	45	1143	45	1143	45.9	1165	35	900	24	610	112	2837	105	2667	16.2	411

Size		WT(RF)		WT(BW)		WT(RF&GO)		WT(BW&GO)		CV Factor
		lbs	kg	lbs	kg	lbs	kg	lbs	kg	
DN50	2"	62.22	27.999	48.89	22.0005	-	-	-	-	-
DN65	2-1/2"	80	36	60	27	-	-	-	-	410
DN80	3"	113.33	50.9985	88.89	40.0005	-	-	-	-	710
DN100	4"	173.33	77.9985	133.33	59.9985	-	-	-	-	1300
DN130	5"	237.78	107.001	191.11	85.9995	-	-	-	-	-
DN150	6"	320	144	251.11	113	368.89	166.001	300	135	3110
DN200	8"	506.67	228.002	406.67	183.002	555.56	250.002	455.56	205.002	5720
DN250	10"	711.11	320	564.44	253.998	760	342	613.33	275.999	8935
DN300	12"	1000	450	795.56	358.002	1066.67	480.002	862.22	387.999	13350
DN350	14"	1542.22	693.999	1280	576	1904.44	856.998	1642.22	738.999	-
DN400	16"	2400	1080	2077.78	935.001	2640.44	1188.2	2282.22	1027	21560
DN450	18"	2744.22	1234.9	2342.22	1054	3295.56	1483	2893.33	1302	36091
DN500	20"	3677.78	1655	3184.44	1433	4113.33	1851	3620	1629	47615
DN600	24"	5155.56	2320	4364.44	1964	5853.33	2634	5062.22	2278	67862



Feature:

Design and Manf.: API600, ASME B16.34

Press-Temp. Rating: ASME B16.34

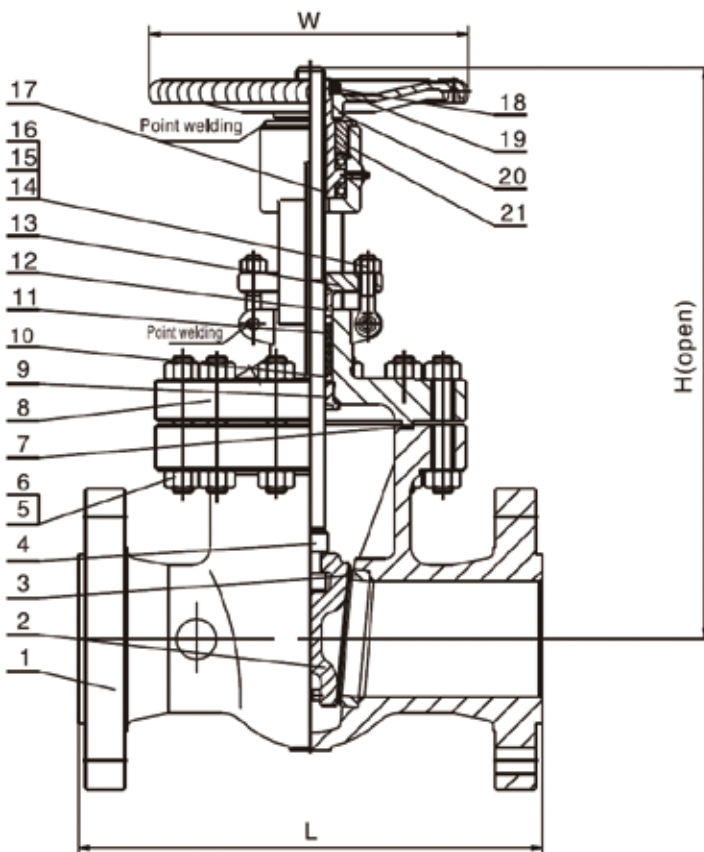
Face to Face: ASME B16.10

End to End: ASME B16.10

Connection: ASME B16.5/B16.25

Test and Inspection: API598

Part List, Material and Dimension



No.	Part	Material
1	Body	A216 WCB
2	Seat Ring	A105+Stellite
3	Wedge	A216 WCB, 13% CR
4	Stem	A182 F16a
5	Bonnet Bolt	A193 B7
6	Bonnet Nut	A194 2H
7	Gasket	Iron
8	Bonnet	A216 WCB
9	Back Seat	A182 F6a
10	Packing	Graphite
11	Eye Bolt Pin	Steel
12	Gland Eye Bolt	A193 GR.B7
13	Packing Gland	A182 F6a
14	Flange Gland	A216 WCB
15	Eye Bolt Nut	A194 GR 2H
16	Grease Nipple	Steel
17	Yoke Sleeve	A439 GR D2
18	Sleeve Nut	Steel
19	Wheel	Ductile Iron
20	Wheel Nut	Steel
21	Set Screw	Steel
22	Bearing	Steel



Size		L		L1		L2		W		W1		H		H1		A	
		Inch	mm	Inch	mm	Inch	mm	Inch	mm	Inch	mm	Inch	mm	Inch	mm	Inch	mm
DN50	2"	11.5	292	11.5	292	11.6	295	10	250	-	-	18.3	465	-	-	-	-
DN65	2-1/2"	13	330	13	330	13.1	333	10	250	-	-	20.9	532	-	-	-	-
DN80	3"	14	356	14	356	14.1	359	10	250	-	-	21.9	555	-	-	-	-
DN100	4"	17	432	17	432	17.1	435	14	350	-	-	27	685	-	-	-	-
DN130	5"	20	508	20	508	20.1	511	16	400	-	-	31.3	795	-	-	-	-
DN150	6"	22	559	22	559	22.1	562	18	450	12	305	35.8	910	45.6	1155	9.45	240
DN200	8"	26	660	26	660	26.1	663	20	500	18	460	45.1	1145	46.3	1175	10.2	260
DN250	10"	31	787	31	787	31.1	790	24	600	24	610	49.9	1268	52.4	1330	12.6	320

Size		WT(RF)		WT(BW)		WT(RF&GO)		WT(BW&GO)		CV Factor
		lbs	kg	lbs	kg	lbs	kg	lbs	kg	
DN50	2"	91.11	40.9995	75.56	34.002	-	-	-	-	-
DN65	2-1/2"	126.67	57.0015	104.44	46.998	-	-	-	-	390
DN80	3"	160	72	128.89	58.0005	-	-	-	-	561
DN100	4"	284.44	127.998	220	99	-	-	-	-	1235
DN130	5"	444.44	199.998	344.44	154.998	-	-	-	-	-
DN150	6"	591.11	266	464.44	208.998	640	288	513.33	230.999	3406
DN200	8"	931.11	419	746.67	336.002	997.78	449.001	813.33	365.999	6761
DN250	10"	1675.56	754.002	1368.89	616.001	1786.67	804.002	1480	666	10565