

## Feature:



Design and Manf.: API608, API6D

Material Pressure-Temp Rating: ASME B16.34

Face to Face: API6D, ASME B16.10

Flange End: ASME B16.5

Marking: MSS SP-25, API6D

Test and Inspection: API6D, API598

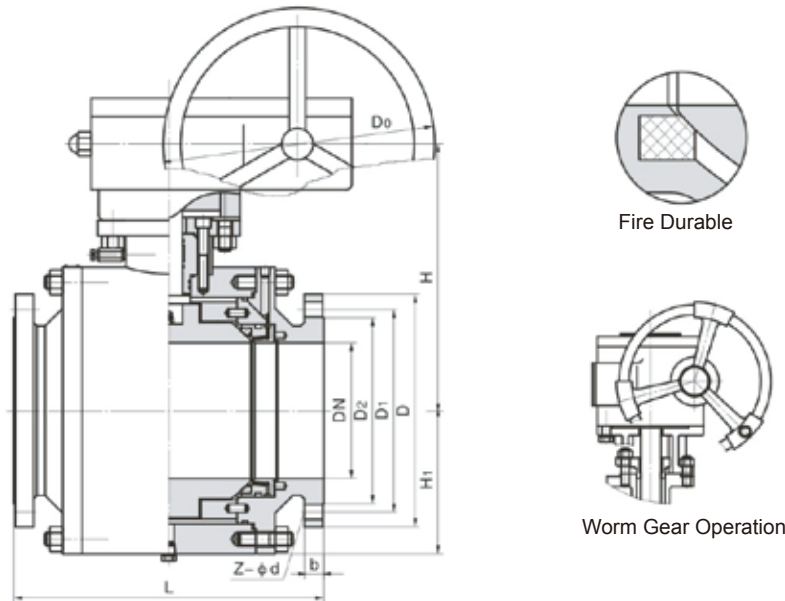
## Main Material for Option

Body, Cover, Disc, Hinge, Sideway Bushing,	Hinge Pin	Sealing Face	Sealing Shim	Working Temp.	Medium
WCB	2Cr13	13Cr STL PTFE Nylon	Graphite Stainless Steel Acie proof Asbestos PTFE Tooth Profit Gasket	≤425°C	Water Steam Petroleum Products Nitric acid Aceic acid
WC1	2Cr13			≤450°C	
WC6	2Cr13			≤540°C	
WC9	2Cr13			≤570°C	
C5 C12	2Cr13			≤540°C	
CF8	F304			≤600°C	
CF3	F316			≤600°C	
CF8M	F304L			≤600°C	
CF3M	F316L			≤600°C	

## Chief Property and Specification

Norminal Pressure	Shell Test	Water Seal Test	Air Seal Test	Application Temp.
(LBS)	MPA			°C
150	3.1	2.2	0.5-0.7	≤200
300	7.5	5.5		
400	10.2	7.48		
600	15	11		

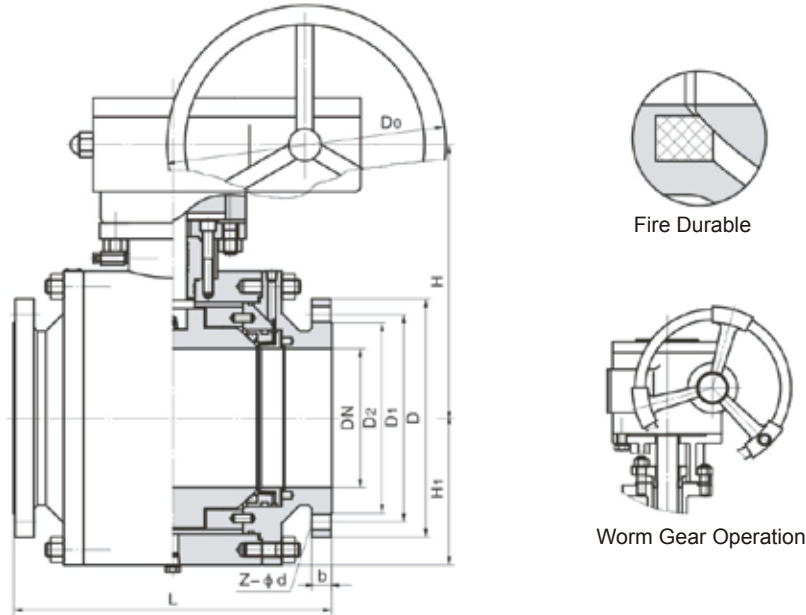
# Dimension of 150lbs



Floating Ball Type														
Size	L		H1	H2	D	D0	D1	D2	d	b	f	N-φ	WT	
	RF	BW												
mm													Kg	
DN15	1/2"	108	-	-	59	89	130	60.5	35	13	11.2	1.6	4-φ16	2.3
DN20	3/4"	117	-	-	63	98	130	70	43	19	11.2	1.6	4-φ16	3
DN25	1"	127	-	-	75	108	160	79.5	51	25	11.2	1.6	4-φ16	4.5
DN40	1-1/2"	165	190	-	95	127	230	98.5	73	38	14.3	1.6	4-φ16	7
DN50	2"	178	216	-	107	152	230	120.5	92	51	15.9	1.6	4-φ19	9.5
DN65	2-1/2"	190	241	-	142	178	400	139.5	105	61	17.5	1.6	4-φ19	15
DN80	3"	203	283	-	152	190	400	152.5	127	76	19.1	1.6	4-φ19	19
DN100	4"	229	305	-	178	229	700	190.5	157	102	23.9	1.6	8-φ19	33
DN125	5"	356	-	-	252	254	1100	216	186	127	23.9	1.6	8-φ22	58
DN150	6"	394	457	-	272	279	1100	241.5	216	152	54.5	1.6	8-φ22	93
DN200	8"	457	521	-	342	343	1500	298.5	270	203	28.6	1.6	8-φ22	160

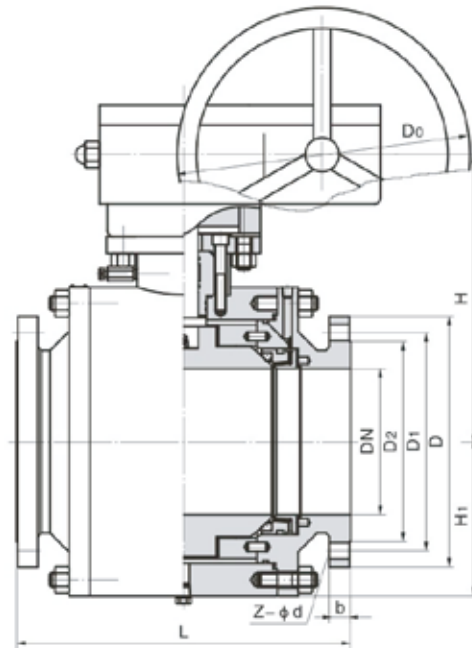
Turnnion Ball Type														
Size	L		H1	H2	D	D0	D1	D2	d	b	f	N-φ	WT	
	RF	BW												
mm													Kg	
DN50	2"	178	216	-	107	152	230	120.5	92	51	15.9	1.6	4-φ19	9.5
DN65	2-1/2"	190	241	-	142	178	400	139.5	105	61	17.5	1.6	4-φ19	15
DN80	3"	203	283	-	152	190	400	152.5	127	76	19.1	1.6	4-φ19	19
DN100	4"	229	305	-	178	229	700	190.5	157	102	23.9	1.6	8-φ19	33
DN125	5"	356	-	-	252	254	1100	216	186	127	23.9	1.6	8-φ22	58
DN150	6"	394	457	-	272	279	1100	241.5	216	152	54.5	1.6	8-φ22	93
DN200	8"	457	521	-	398	343	600	298.5	270	203	28.6	1.6	8-φ22	180
DN250	10"	533	559	335	495	406	600	362	324	254	30.2	1.6	12-φ25	240
DN300	12"	610	635	385	580	483	800	431.8	381	305	31.8	1.6	12-φ25	390
DN350	14"	686	762	430	625	535	800	476	412.8	337	35	1.6	12-φ29	510
DN400	16"	762	838	470	720	597	800	539.5	469.9	387	36.6	1.6	16-φ29	750
DN500	20"	914	991	590	840	698	800	635	58.2	489	42.9	1.6	20-φ32	1190
DN600	24"	1067	1143	700	1050	813	800	749.5	692.2	591	47.8	1.6	20-φ35	2100
DN700	28"	1245	1346	780	1150	927	800	836.6	800.1	686	71.4	1.6	28-φ35	3000

## Dimension of 300lbs

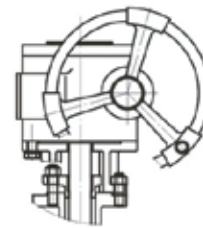


Floating Ball Type														
Size	L		H1	H2	D	D0	D1	D2	d	b	f	N-φ	WT	
	RF	BW												
mm													Kg	
DN15	1/2"	140	-	-	59	95	130	66.5	35	13	14.2	1.6	4-φ16	2.5
DN20	3/4"	152	-	-	63	117	130	82.5	43	19	15.9	1.6	4-φ19	3.5
DN25	1"	165	-	-	75	124	160	89	51	25	17.5	1.6	4-φ19	5.5
DN40	1-1/2"	190	190	-	95	156	230	114.5	73	38	20.7	1.6	4-φ22	10.5
DN50	2"	216	216	-	107	165	230	127	92	51	22.3	1.6	8-φ19	14.5
DN65	2-1/2"	241	241	-	142	190	400	149	105	61	25.4	1.6	8-φ22	23.5
DN80	3"	283	283	-	152	210	400	168	127	76	28.6	1.6	8-φ22	30
DN100	4"	305	305	-	178	254	700	200	157	102	31.8	1.6	8-φ22	55
DN125	5"	381	-	-	252	279	1100	235	186	127	35	1.6	8-φ22	81
DN150	6"	403	457	-	272	318	1100	270	216	152	36.5	1.6	12-φ22	118
DN200	8"	502	521	-	342	381	1500	381	270	203	41.3	1.6	12-φ25	200
Turnnion Ball Type														
Size	L		H1	H2	D	D0	D1	D2	d	b	f	N-φ	WT	
	RF	BW												
mm													Kg	
DN50	2"	216	216	-	107	165	230	127	92	51	22.3	1.6	8-φ19	14.5
DN65	2-1/2"	241	241	-	142	190	400	149	105	61	25.4	1.6	8-φ22	23.5
DN80	3"	283	283	-	152	210	400	168	127	76	28.6	1.6	8-φ22	30
DN100	4"	305	305	-	178	254	700	200	157	102	31.8	1.6	8-φ22	55
DN125	5"	381	-	-	252	279	1100	235	186	127	35	1.6	8-φ22	81
DN150	6"	403	457	-	272	318	1100	270	216	152	36.5	1.6	12-φ22	118
DN200	8"	502	521	-	398	381	600	381	270	203	41.3	1.6	12-φ25	220
DN250	10"	568	559	335	495	444	600	387.5	324	254	17.7	1.6	16-φ29	365
DN300	12"	648	635	385	580	520.8	800	451	381	305	50.8	1.6	16-φ32	530
DN350	14"	762	762	430	625	584.2	800	514.5	412.8	337	53.8	1.6	20-φ32	740
DN400	16"	838	838	470	720	647.8	800	571.5	469.9	387	57.2	1.6	20-φ35	1030
DN500	20"	991	991	590	840	774.8	800	685.8	58.2	489	63.5	1.6	24-φ35	1540
DN600	24"	1143	1143	700	1050	914.4	800	812.8	692.2	591	69.8	1.6	24-φ41	2600
DN700	28"	1346	1346	780	1150	1035	800	939.8	800.1	686	85.9	1.6	28-φ44.5	3900

# Dimension of 400lbs



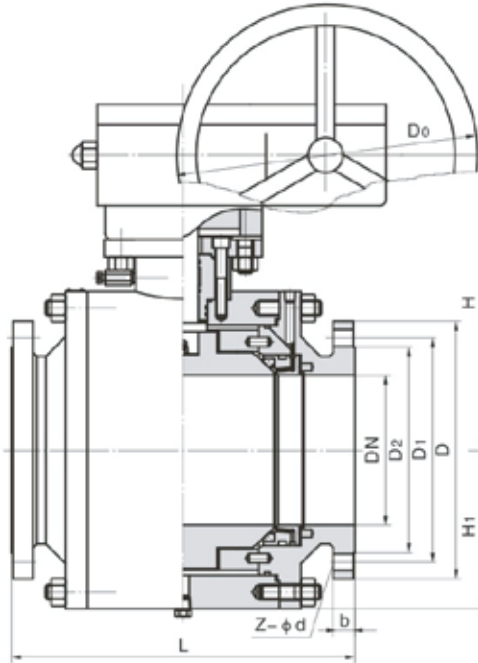
Fire Durable



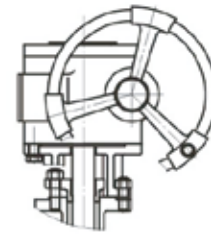
Worm Gear Operation

Floating Ball Type															
Size	L		H1	H2	D	D0	D1	D2	d	b	f	N-φ	WT		
	RF	BW													
mm													Kg		
DN15	1/2"	165	165	-	59	95	130	66.5	35	13	14.3	6.4	4-φ16	6.5	
DN20	3/4"	190	190	-	63	117	160	82.5	43	19	15.9	6.4	4-φ19	9	
DN25	1"	216	216	-	75	124	160	89	51	25	17.5	6.4	4-φ19	13	
DN40	1-1/2"	241	241	-	95	156	230	114.5	73	38	22.3	6.4	4-φ22	16.5	
DN50	2"	292	292	-	107	165	700	127	92	51	25.4	6.4	8-φ19	25	
DN100	4"	406	406	-	178	254	700	200	157.2	102	35	6.4	8-φ25	66	
DN150	6"	495	495	250	300	317.5	600	270	216	152	41	6.4	12-φ25	145	
Turnnion Ball Type															
DN50	2"	L		H1	H2	D	D0	D1	D2	d	b	f	N-φ	WT	
DN65	2-1/2"	RF	BW												
DN80	3"	mm													Kg
DN100	4"	292	292	-	107	165	700	127	92	51	25.4	6.4	8-φ19	25	
DN125	5"	406	406	-	178	254	700	200	157.2	102	35	6.4	8-φ25	66	
DN150	6"	495	495	250	300	317.5	600	270	216	152	41	6.4	12-φ25	145	
DN200	8"	597	597	294	374	381	800	330	269.8	203	47.8	6.4	12-φ28.5	250	
DN250	10"	673	673	370	445	445	800	387.5	324	254	53.8	6.4	16-φ32	540	
DN300	12"	762	762	420	515	521	800	451	381	305	57	6.4	16-φ35	780	
DN350	14"	826	826	460	550	584	800	514.5	413	337	60.5	6.4	20-φ35	1000	
DN400	16"	902	902	505	615	648	800	571.5	470	387	63.5	6.4	20-φ38	1300	
DN500	20"	1054	1054	630	810	775	800	686	584.2	489	69.8	6.4	24-φ41	2100	
DN600	24"	1321	1321	685	845	915	800	812.8	692.2	591	76	6.4	24-φ48	3400	
DN700	28"	1397	1397	860	1087	1035	800	939.8	800	686	95.3	6.4	28-φ51	5000	

## Dimension of 600lbs



Fire Durable



Worm Gear Operation

Floating Ball Type														
Size	L		H1	H2	D	D0	D1	D2	d	b	f	N-φ	WT	
	RF	BW												
mm													Kg	
DN15	1/2"	165	165	-	59	95	160	56.5	35	13	14.3	6.4	4-φ16	7.5
DN20	3/4"	190	190	-	63	117	160	82.5	43	19	15.9	6.4	4-φ19	10.5
DN25	1"	216	216	-	75	124	230	89	51	25	17.5	6.4	4-φ19	14.5
DN40	1-1/2"	241	241	-	95	156	400	114.5	73	38	22.3	6.4	4-φ22	18.5
DN50	2"	292	292	-	107	165	700	127	92	51	25.4	6.4	8-φ19	25
DN100	4"	432	432	-	178	273	1100	216	157.2	102	38	6.4	8-φ25	76
DN150	6"	559	559	250	300	355.6	600	282.1	216	152	47.2	6.4	12-φ29	127
Turnnion Ball Type														
Size	L		H1	H2	D	D0	D1	D2	d	b	f	N-φ	WT	
	RF	BW												
mm													Kg	
DN50	2"	292	292	-	107	165	700	127	92	51	25.4	6.4	8-φ19	25
DN100	4"	432	432	-	178	273	1100	216	157.2	102	38	6.4	8-φ25	76
DN150	6"	559	559	250	300	355.6	600	282.1	216	152	47.2	6.4	12-φ29	127
DN200	8"	660	660	294	374	419.5	800	349.2	269.8	203	55.7	6.4	12-φ32	350
DN250	10"	787	787	370	445	508	800	431.8	324	254	63.5	6.4	16-φ35	660
DN300	12"	838	838	420	515	559	800	489	381	305	66.5	6.4	20-φ35	820
DN350	14"	889	889	460	550	603.2	800	527	413	337	69.8	6.4	20-φ38	1130
DN400	16"	991	991	505	615	686	800	603.2	470	387	76.2	6.4	20-φ41	1550
DN500	20"	1194	1194	630	810	818	800	724	584.2	489	89	6.4	24-φ44.5	2800
DN600	24"	1397	1397	828	1010	940	800	838.2	692.2	591	101.6	6.4	24-φ51	5300
DN700	28"	1549	1549	970	1180	1073	800	965.2	800	686	111.3	6.4	28-φ55	6500