



Features:

1000PSI / PN63

Investment Casting

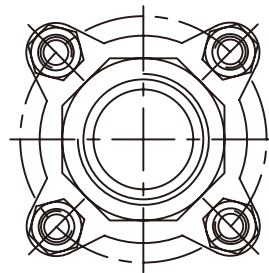
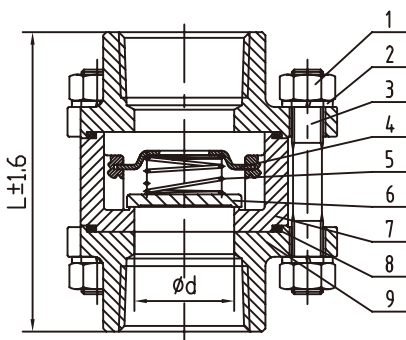
Precise Grinding

Thread: ASME B1.20.1 BS21.DIN2999/259,

ISO228-1, JIS B 0203,ISO7/1

Inspection Testing: API598,EN12266

Part List, Material and Dimension



No.	Part Name	Material
1	Nut	SS304 / SS316
2	Stop Screw	SS304 / SS316
3	Bolt	SS304 / SS316
4	Spring Seat	SS304 / SS316
5	Spring	SS304 / SS316
6	Disc	SS304 / SS316
7	Body	CF8 / CF8M
8	Gasket	PTFE / RPTFE
9	Cap	CF8 / CF8M

Size		ød	L
DN15	1/2"	15	60
DN20	3/4"	20	70
DN25	1"	25	80
DN32	1-1/4"	32	84
DN40	1-1/2"	40	93
DN50	2"	50	106
DN65	2-1/2"	65	128
DN80	3"	80	145
DN100	4"	100	167