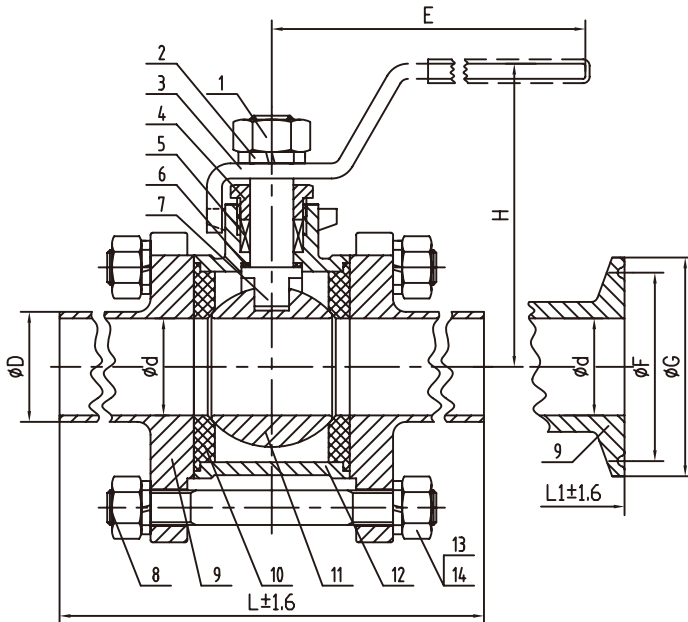




Features:

- 1000PSI / PN63
- Full Port
- Investment Casting
- Blow-out Proof Stem
- Locking Device Handle(Optional)
- Clamp End: ISO2852-1993
- Inspection Testing: API598, EN12266

Part List, Material and Dimension



No.	Part Name	Material
1	Nut	SS304 / SS316
2	Spring Washer	SS304 / SS316
3	Handle	SS201 / SS304 / SS316
4	Gland Nut	SS304 / SS316
5	Packing	PTFE / RPTFE
6	Thrush Washer	PTFE / RPTFE
7	Stem	SS304 / SS316
8	Bolt	SS304 / SS316
9	Cap	WCB / CF8 / CF8M
10	Seat	PTFE / RPTFE
11	Ball	SS304 / SS316
12	Body	WCB / CF8 / CF8M
13	Spring Washer	SS304 / SS316
14	Nut	SS304 / SS316

Size		Ød	ØD	ØF	ØG	H	E	L	L1
DN15	1/2"	9.4	12.7	43.5	50.5	60	115	101	101
DN20	3/4"	16	19	43.5	50.5	64	125	106	110
DN25	1"	22.4	25.4	43.5	50.5	70	150	118	120
DN32	1-1/4"	31	34	43.5	50.5	77	160	125	132
DN40	1-1/2"	35	38	43.5	50.5	95	190	150	140
DN50	2"	48	51	56.5	64	105	200	174	154
DN65	2-1/2"	60	63	70.5	77.5	118	265	196	196
DN80	3"	72	76	83.5	91	136	300	212	214
DN100	4"	96	100	110	119	154	300	266	266