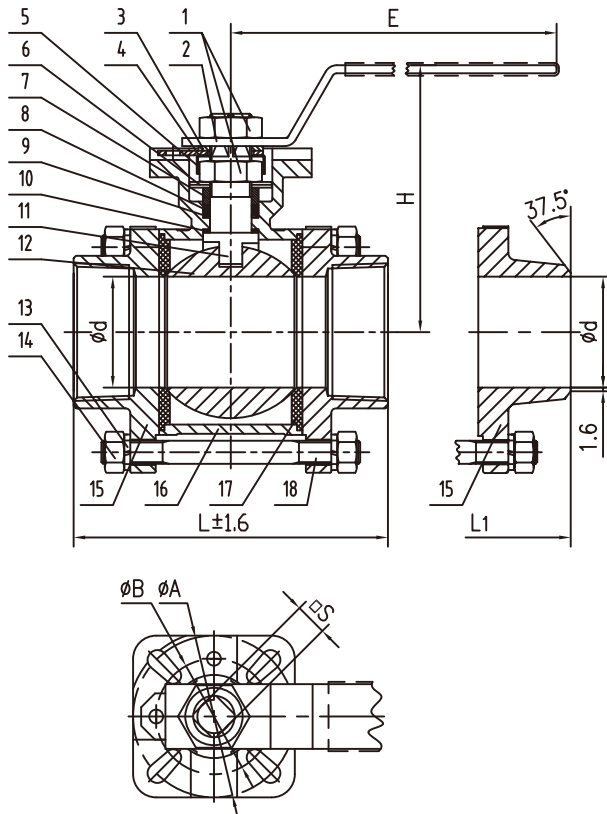




Features:

- 1000PSI / PN63
- Full Port
- Investment Casting
- Blow-out Proof Stem
- ISO5211 Mounting Pad
- Locking Device Handle
- Thread: ASME B1.20.1 BS21.DIN2999/259,
ISO228-1,JIS B 0203,ISO7/1
- Inspection Testing: API598

Part List, Material and Dimension



No.	Part Name	Material
1	Nut	SS304 / SS316
2	Handle	SS201 / SS304 / SS316
3	Gasket	SS304 / SS316
4	Stopper	SS304 / SS316
5	Cap	SS304 / SS316
6	Belleville Washer	SS304 / SS316
7	Gland	SS304 / SS316
8	Packing	PTFE / RPTFE
9	O-Ring	NBR / EPDM
10	Thrust Washer	PTFE / RPTFE
11	Stem	SS304 / SS316
12	Ball	SS304 / SS316
13	Spring washer	SS304 / SS316
14	Nut	SS304 / SS316
15	Cap	WCB / CF8 / CF8M
16	Body	WCB / CF8 / CF8M
17	Seat	PTFE / RPTFE
18	Bolt	SS304 / SS316

Size	Ød	H	E	L	L1	ØA	ØB	S
DN15	1/2"	15	60	75	69	42	36	□9
DN20	3/4"	20	64	80	79	42	36	□9
DN25	1"	25	79.5	90	88	50	42	□11
DN32	1-1/4"	32	84	110	110	50	42	□11
DN40	1-1/2"	38	106	120	116	70	50	□14
DN50	2"	49	115.5	140	142	70	50	□14
DN65	2-1/2"	65	136	185	183	102	70	□17
DN80	3"	76	147	205	202	102	70	□17
DN100	4"	96	165	240	242	102	70	□19