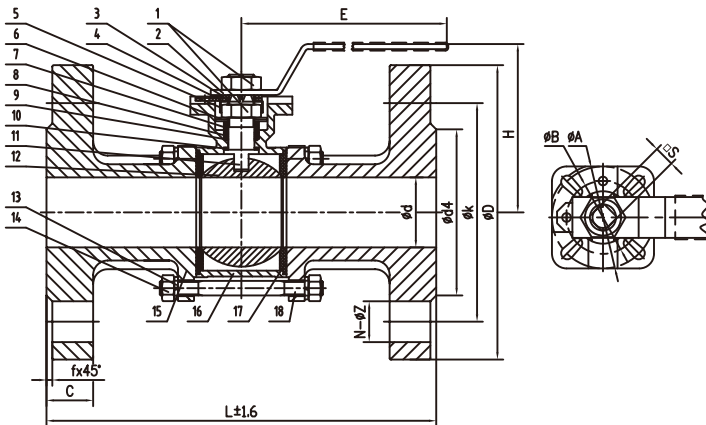


## Features:

- DIN PN40
- Full Port
- Investment Casting
- Blow-out Proof Stem
- ISO5211 Mounting Pad
- Design: DIN3357, En12516
- End Flange: DIN2501, PN10-40
- Face to Face: DIN3202-F1
- Inspection Testing: DIN3230/3, EN12266

## Part List, Material and Dimension



No.	Part Name	Material
1	Nut	SS304 / SS316
2	Handle	SS201 / SS304 / SS316
3	Gasket	SS304 / SS316
4	Stopper	SS304 / SS316
5	Stop-Lock-Cap	SS304 / SS316
6	Belleville Washer	SS304 / SS316
7	Gland	SS304 / SS316
8	Packing	PTFE / RPTFE
9	O-Ring	NBR / EPDM
10	Thrust Washer	PTFE / RPTFE
11	Stem	SS304 / SS316
12	Ball	SS304 / SS316
13	Spring washer	SS304 / SS316
14	Nut	SS304 / SS316
15	Cap	WCB / CF8 / CF8M
16	Body	WCB / CF8 / CF8M
17	Seat	PTFE / RPTFE
18	Bolt	SS304 / SS316

Size	Ød	Ød4	ØK	ØD	C	F	N-ØZ	L	H	E	ØA	ØB	S	
DN15	1/2"	15	45	65	95	14	2	4-Ø14	130	60	125	42	36	□9
DN20	3/4"	20	58	75	105	15	2	4-Ø14	150	64	125	42	36	□9
DN25	1"	25	68	85	115	16	2	4-Ø14	160	79.5	155	50	42	□11
DN32	1-1/4"	32	78	100	140	17	2	4-Ø18	180	84	155	50	42	□11
DN40	1-1/2"	38	88	110	150	18	3	4-Ø18	200	106	195	70	50	□14
DN50	2"	49	102	125	165	20	3	4-Ø18	230	115.5	195	70	50	□14
DN65	2-1/2"	62	122	145	185	22	3	8-Ø18	290	136	245	102	70	□17
DN80	3"	76	138	160	200	23	3	8-Ø18	310	147	245	102	70	□17
DN100	4"	96	162	190	235	24	3	8-Ø22	350	165	300	102	70	□19