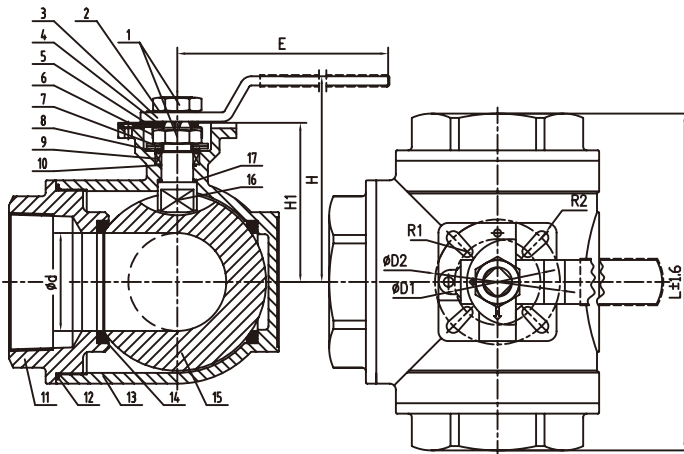




Features:

- 1000PSI / PN63
- Reduce Port
- Investment Casting
- Blow-out Proof Stem
- ISO5211 Mounting Pad
- L or T Port Option
- Thread: ASME B1.20.1 BS21.DIN2999/259,
ISO228-1, JIS B 0203, ISO7/1
- Inspection Testing: API598, EN12266

Part List, Material and Dimension



No.	Part Name	Material
1	Nut	SS304 / SS316
2	Flow Card	Aluminium Alloy
3	Handle	SS201 / SS304 / SS316
4	Square Washer	SS304 / SS316
5	Limit Stop	SS304 / SS316
6	Stop-Lock-Cap	SS304 / SS316
7	Belleville Washer	SS304 / SS316
8	Bushing	SS304 / SS316
9	Packing	PTFE / RPTFE
10	O-Ring	NBR / EPDM
11	Cap	WCB / CF8 / CF8M
12	Gasket	PTFE / RPTFE
13	Body	WCB / CF8 / CF8M
14	Seat	PTFE / RPTFE
15	Ball	SS304 / SS316
16	Stem	SS304 / SS316
17	Thrust Gasket	PTFE / RPTFE

Size		∅d	H	H1	E	L	∅D1	∅D2	R1	R2
DN15	1/2"	12	60	38.5	125	70	36	42	5.5	6
DN20	3/4"	15	64	41.5	125	80	36	42	5.5	6
DN25	1"	18	74	46.5	155	90	42	50	6	7
DN32	1-1/4"	25	84.5	57	155	124	42	50	6	7
DN40	1-1/2"	32	106	69	195	137	50	70	7	9
DN50	2"	28	112	74.5	195	152	50	70	7	9
DN65	2-1/2"	49	129	93	260	200	70	102	9	11
DN80	3"	65	150	112	300	240	70	102	9	11
DN100	4"	80	168	130	300	275	70	102	9	11