



Features:

200PSI / PN16

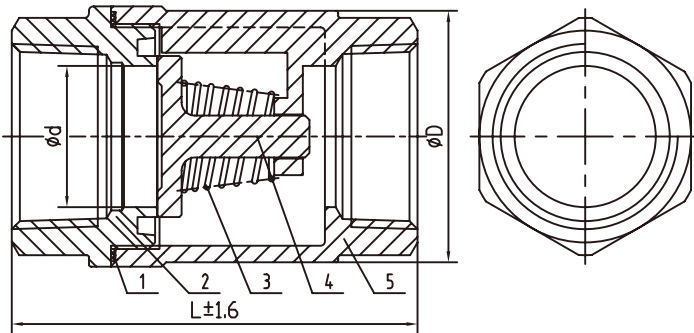
Investment Casting

Thread: ASME B1.20.1 BS21.DIN2999/259,

ISO228-1, JIS B 0203,ISO7/1

Inspection Testing: API598,EN12266

Part List, Material and Dimension



No.	Part Name	Material
1	Gasket	PTFE / RPTFE
2	Cap	CF8 / CF8M
3	Spring	SS304 / SS316
4	Disc	SS304 / SS316
5	Body	CF8 / CF8M

Size		$\varnothing d$	$\varnothing D$	L
DN6	1/4"	10	25	47
DN10	3/8"	10	25	47
DN15	1/2"	15	34	60
DN20	3/4"	20	39	71
DN25	1"	25	46	79
DN32	1-1/4"	32	57	92
DN40	1-1/2"	38	67	105
DN50	2"	49	77	119
DN65	2-1/2"	65	99	143
DN80	3"	65	122	158
DN100	4"	100	141	167