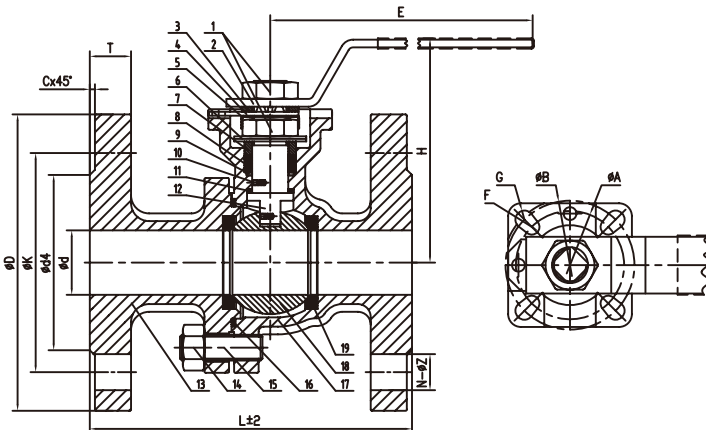




Features:

- DIN PN16
- Full Port
- Investment Casting
- Blow-out Proof Stem
- ISO5211 Mounting Pad
- Design: DIN3357,EN12516
- End Flange: DIN2543~2545, PN10-40
- Face to Face: DIN3202-F4(DN15-DN100)
DIN3202-F5(DN125-DN150)
- Inspection Testing: DIN3230/3,EN12266

Part List, Material and Dimension



No.	Part Name	Material
1	Nut	SS304 / SS316
2	Handle	SS201 / SS304 / SS316
3	Square Washer	SS304 / SS316
4	Limit Stop	SS304 / SS316
5	Stop-Lock-Cap	SS304 / SS316
6	Belleville Washer	SS304 / SS316
7	Bushing	SS304 / SS316
8	Packing	PTFE / RPTFE
9	O-Ring	NBR / EPDM
10	Anti-Static-Device	SS304 / SS316
11	Thrust Gasket	PTFE / RPTFE
12	Stem	SS304 / SS316
13	Cap	WCB / CF8 / CF8M
14	Nut	SS304 / SS316
15	Spring Washer	SS304 / SS316
16	Gasket	PTFE / RPTFE
17	Body	WCB / CF8 / CF8M
18	Ball	SS304 / SS316
19	Seat	PTFE / RPTFE

Size	Ød	Ød4	ØK	ØD	N-ØZ	C	T	L	H	E	ØB	ØA	F	G	
DN15	1/2"	15	45	65	95	4-Ø14	2	14	115	69	125	42	36	5.5	6
DN20	3/4"	20	58	75	105	4-Ø14	2	16	120	75	125	42	36	5.5	6
DN25	1"	25	68	85	115	4-Ø14	2	16	125	87	155	50	42	6	7
DN32	1-1/4"	32	78	100	140	4-Ø16	2	16	130	99	155	50	42	6	7
DN40	1-1/2"	38	88	110	150	4-Ø18	3	16	140	116	195	70	50	7	9
DN50	2"	50	102	125	165	4-Ø18	3	18	150	124	195	70	50	7	9
DN65	2-1/2"	65	122	145	185	4-Ø18	3	18	170	140	260	102	70	9	11
DN80	3"	80	138	160	200	8-Ø18	3	20	180	153	260	102	70	9	11
DN100	4"	100	158	180	220	8-Ø18	3	20	190	175	300	102	70	9	11