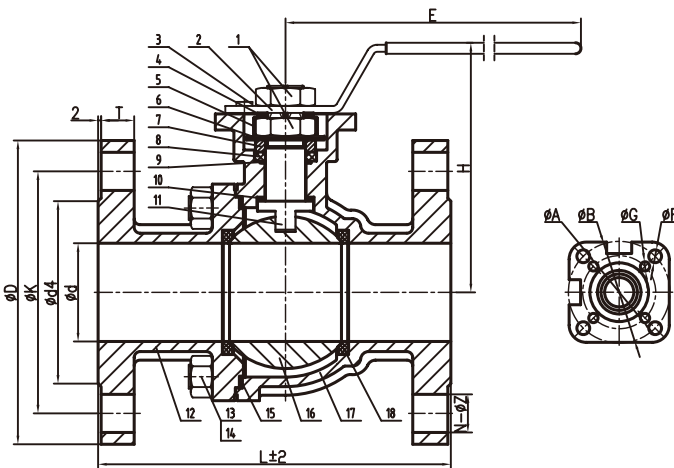




Features:

- ANSI 150LBS
- Full Port
- Investment Casting
- Blow-out Proof Stem
- ISO5211 Mounting Pad
- Design: ASME B16.34
- End Flange: ASME B16.5
- Inspection Testing: API598

Part List, Material and Dimension



No.	Part Name	Material
1	Nut	SS304 / SS316
2	Handle	SS201 / SS304 / SS316
3	Stop Screw	SS304 / SS316
4	Square Washer	SS304 / SS316
5	Stop-Lock-Cap	SS304 / SS316
6	Belleville Washer	SS304 / SS316
7	Bushing	SS304 / SS316
8	Packing	PTFE / RPTFE
9	O-Ring	NBR / EPDM
10	Thrust Washer	PTFE / RPTFE
11	Stem	SS304 / SS316
12	Cap	WCB / CF8 / CF8M
13	Nut	SS304 / SS316
14	Bolt	SS304 / SS316
15	Gasket	PTFE / RPTFE
16	Ball	SS304 / SS316
17	Body	WCB / CF8 / CF8M
18	Seat	PTFE / RPTFE

Size	Ød	Ød4	ØK	ØD	N-ØZ	T	L	H	E	ØB	ØA	ØF	ØG
DN15	1/2"	15	34.9	60.3	90	4-Ø16	8.5	108	72	125	42	36	6
DN20	3/4"	20	42.9	69.9	100	4-Ø16	11	117	87	125	42	36	6
DN25	1"	25	50.8	79.4	110	4-Ø16	13	127	92	150	50	42	6
DN32	1-1/4"	32	63.5	88.9	116	4-Ø16	14	140	105	150	50	42	6
DN40	1-1/2"	38	73	98.4	126	4-Ø16	15	165	120	195	70	50	7
DN50	2"	49	92.1	120.7	151	4-Ø19	16	178	127	195	70	50	7
DN65	2-1/2"	65	104.8	139.7	176	4-Ø19	19	190	135	260	102	70	10
DN80	3"	74	127	152.4	187	4-Ø19	21	203	157	300	102	70	10
DN100	4"	98	157.2	190.5	228	8-Ø19	22	229	173	300	102	70	10