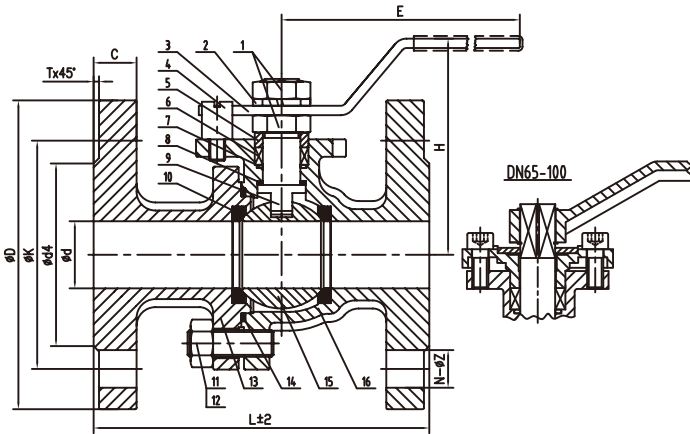




Features:

- DIN PN16 / PN40
- Full Port
- Investment Casting
- Blow-out Proof Stem
- ISO5211 Mounting Pad
- Design: DIN3357, EN12516
- Inspection Testing: DIN3230/3, EN12266

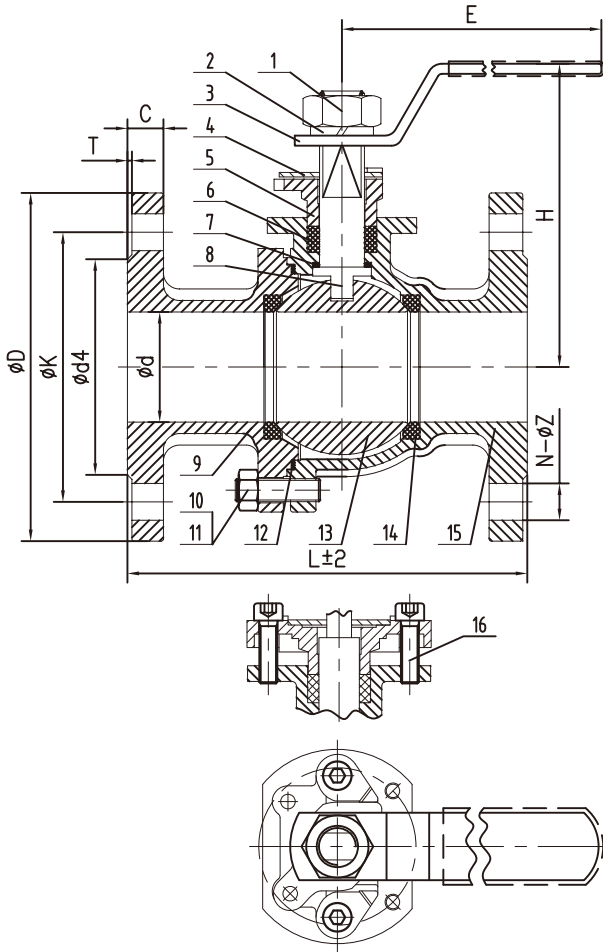
Part List, Material and Dimension (PN16)



No.	Part Name	Material
1	Nut	SS304 / SS316
2	Spring Washer	SS304 / SS316
3	Handle	SS201 / SS304 / SS316
4	Stop Screw	SS304 / SS316
5	Gland	SS304 / SS316
6	Packing	PTFE / RPTFE
7	O-Ring	NBR / EPDM
8	Thrush Washer	PTFE / RPTFE
9	Stem	SS304 / SS316
10	Seat	PTFE / RPTFE
11	Nut	SS304 / SS316
12	Bolt	SS304 / SS316
13	Cap	WCB / CF8 / CF8M
14	Gasket	PTFE / RPTFE
15	Ball	SS304 / SS316
16	Body	WCB / CF8 / CF8M

Size		ϕd	$\phi d4$	ϕK	ϕD	N-Z	C	T	L	H	E
DN15	1/2"	15	45	65	95	4- $\phi 14$	2	14	115	64	125
DN20	3/4"	20	58	75	105	4- $\phi 14$	2	16	120	71	125
DN25	1"	25	68	85	115	4- $\phi 14$	2	16	125	81	155
DN32	1-1/4"	32	78	100	140	4- $\phi 18$	2	16	130	88	155
DN40	1-1/2"	38	88	110	150	4- $\phi 18$	3	16	140	108	195
DN50	2"	50	102	125	165	4- $\phi 18$	3	18	150	113	195
DN65	2-1/2"	65	122	145	185	4- $\phi 18$	3	18	170	159	260
DN80	3"	80	138	160	200	8- $\phi 18$	3	20	180	175	260
DN100	4"	100	158	180	220	8- $\phi 18$	3	20	190	206	300

Part List, Material and Dimension (PN40)



No.	Part Name	Material
1	Nut	SS304 / SS316
2	Spring Washer	SS304 / SS316
3	Handle	SS201 / SS304 / SS316
4	Stopper	SS304 / SS316
5	Gland	WCB / CF8 / CF8M
6	Packing	PTFE / RPTFE
7	Thrust Gasket	PTFE / RPTFE
8	Stem	SS304 / SS316
9	Cap	WCB / CF8 / CF8M
10	Nut	SS304 / SS316
11	Bolt	SS304 / SS316
12	Thrust Gasket	PTFE / RPTFE
13	Ball	SS304 / SS316
14	Seat	PTFE / RPTFE
15	Body	WCB / CF8 / CF8M
16	Hex. Bolt	SS304 / SS316

Size	∅d	∅d4	∅K	∅D	N-Z	C	T	L	H	E	
DN15	1/2"	15	45	65	95	4-∅14	2	16	115	74	120
DN20	3/4"	20	58	75	105	4-∅14	2	18	120	79	120
DN25	1"	25	68	85	115	4-∅14	2	18	125	88	145
DN32	1-1/4"	32	78	100	140	4-∅18	2	18	130	100	145
DN40	1-1/2"	38	88	110	150	4-∅18	2	18	140	113	160
DN50	2"	49	102	125	165	4-∅18	2	20	150	121	170
DN65	2-1/2"	65	122	145	185	8-∅18	2	22	170	134	230
DN80	3"	80	138	160	200	8-∅18	2	24	180	141	260
DN100	4"	100	162	190	235	8-∅22	2	24	190	153	300