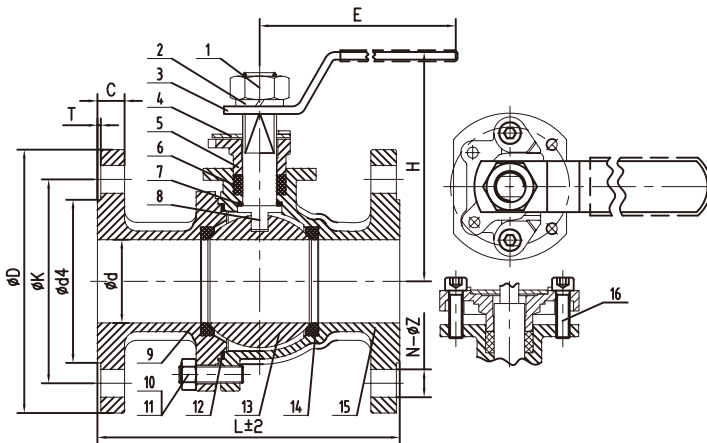




## Features:

- ANSI CLASS 150
- Full Port
- Investment Casting
- Blow-out Proof Stem
- ISO5211 Mounting Pad
- Design: ASME B16.34
- End Flange: ASME B16.5
- Inspection Testing: API598

## Part List, Material and Dimension



No.	Part Name	Material
1	Nut	SS304 / SS316
2	Spring Washer	SS304 / SS316
3	Handle	SS201 / SS304 / SS316
4	Stopper	SS304 / SS316
5	Gland	WCB / CF8 / CF8M
6	Packing	PTFE / RPTFE
7	Thrush Gasket	PTFE / RPTFE
8	Stem	SS304 / SS316
9	Cap	WCB / CF8 / CF8M
10	Nut	SS304 / SS316
11	Bolt	SS304 / SS316
12	Thrush Gasket	PTFE / RPTFE
13	Ball	SS304 / SS316
14	Seat	PTFE / RPTFE
15	Body	WCB / CF8 / CF8M
16	Hex. Bolt	SS304 / SS316

Size	$\phi d$	$\phi d4$	$\phi K$	$\phi D$	T	C	N- $\phi Z$	L	H	E	
DN15	1/2"	15	36	60.3	91	2	12	4- $\phi 16$	108	74	120
DN20	3/4"	20	42	70	95	2	12	4- $\phi 16$	117	79	120
DN25	1"	25	50.5	79	104.5	2	12	4- $\phi 16$	127	88	145
DN32	1-1/4"	32	63	89	114	2	14	4- $\phi 16$	140	100	145
DN40	1-1/2"	38	73	99	125	2	17	4- $\phi 16$	165	113	160
DN50	2"	49	91	120	147	2	16	4- $\phi 19$	178	121	170
DN65	2-1/2"	65	103	139	177	2	17	4- $\phi 19$	190	134	230
DN80	3"	80	123	152	190	2	20	4- $\phi 19$	203	141	260
DN100	4"	100	151	190	228	2	24	8- $\phi 19$	229	153	300