



Features:

1000PSI/PN63

Reduce Port

Investment Casting

Blow-out Proof Stem

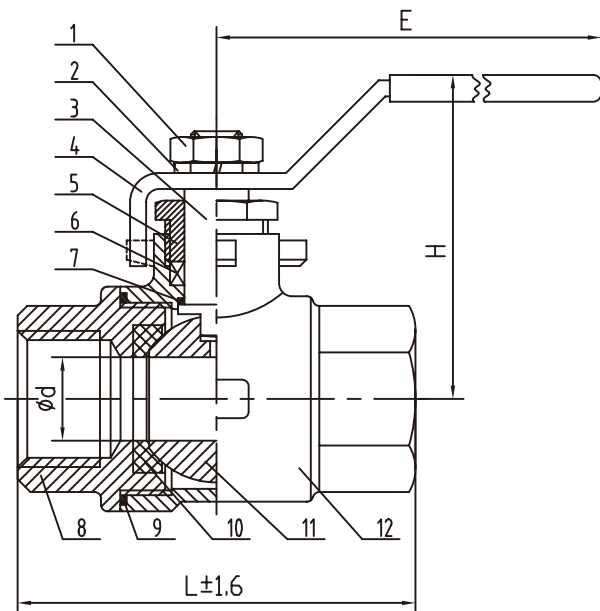
Sanitary Design

Thread: ASME B1.20.1 BS21.DIN2999/259,

ISO228-1, JIS B 0203, ISO7/1

Inspection Testing: API598,EN12266

Part List, Material and Dimension



No.	Part Name	Material
1	Nut	SS304 / SS316
2	Spring Washer	SS304 / SS316
3	Stem	SS304 / SS316
4	Handle	SS201 / SS304 / SS316
5	Gland Nut	SS304 / SS316
6	Packing	PTFE / RPTFE
7	Thrust Washer	PTFE / RPTFE
8	Cap	WCB / CF8 / CF8M
9	Gasket	PTFE / RPTFE
10	Seat	PTFE / RPTFE
11	Ball	SS304 / SS316
12	Body	WCB / CF8 / CF8M

Size		$\varnothing d$	H	E	L
DN15	1/2"	15	60	95	55
DN20	3/4"	18	64	115	66
DN25	1"	23	71	135	75
DN32	1-1/4"	30	78	150	86
DN40	1-1/2"	36	86	160	97
DN50	2"	47	95	180	113