



Features:

2000PSI / PN125

Full Port

Investment Casting

Blow-out Proof Stem

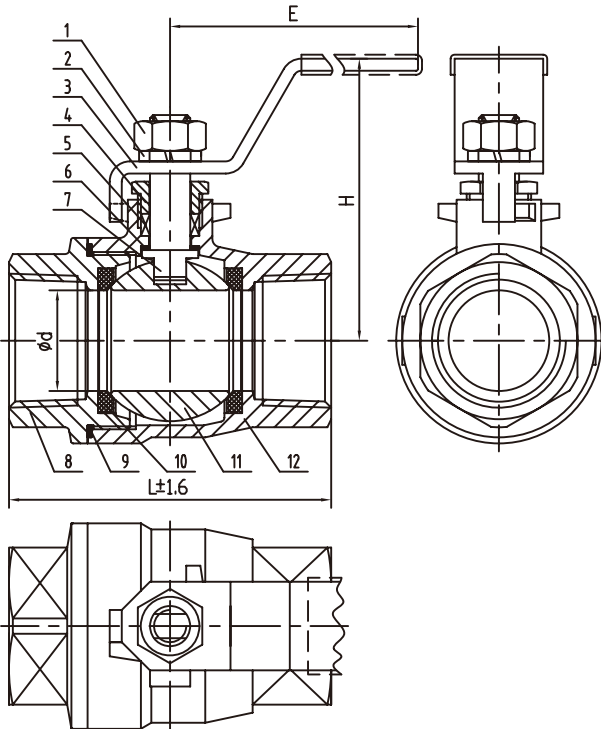
Locking Device Handle(Optional)

Thread: ASME B1.20.1 BS21. DIN2999/259,

ISO228-1, JIS B 0203, ISO7/1

Inspection Testing: API598, EN12266

Part List, Material and Dimension



| No. | Part Name | Material |
|-----|---------------|-----------------------|
| 1 | Nut | SS304 / SS316 |
| 2 | Spring Washer | SS304 / SS316 |
| 3 | Handle | SS201 / SS304 / SS316 |
| 4 | Gland Nut | SS304 / SS316 |
| 5 | Packing | PTFE / RPTFE |
| 6 | Thrush Washer | PTFE / RPTFE |
| 7 | Stem | SS304 / SS316 |
| 8 | Cap | WCB / CF8 / CF8M |
| 9 | Gasket | PTFE / RPTFE |
| 10 | Seat | PTFE / RPTFE |
| 11 | Ball | SS304 / SS316 |
| 12 | Body | WCB / CF8 / CF8M |

| Size | | ∅d | H | E | L |
|-------|--------|----|-----|-----|-----|
| DN15 | 1/2" | 15 | 58 | 95 | 60 |
| DN20 | 3/4" | 20 | 63 | 115 | 67 |
| DN25 | 1" | 25 | 70 | 135 | 79 |
| DN32 | 1-1/4" | 32 | 78 | 150 | 94 |
| DN40 | 1-1/2" | 38 | 93 | 160 | 102 |
| DN50 | 2" | 49 | 101 | 180 | 122 |
| DN65 | 2-1/2" | 62 | 126 | 230 | 148 |
| DN80 | 3" | 76 | 136 | 250 | 164 |
| DN100 | 4" | 96 | 156 | 285 | 202 |