



Features:

1000PSI/PN63

Full Port

Investment Casting

Blow-out Proof Stem

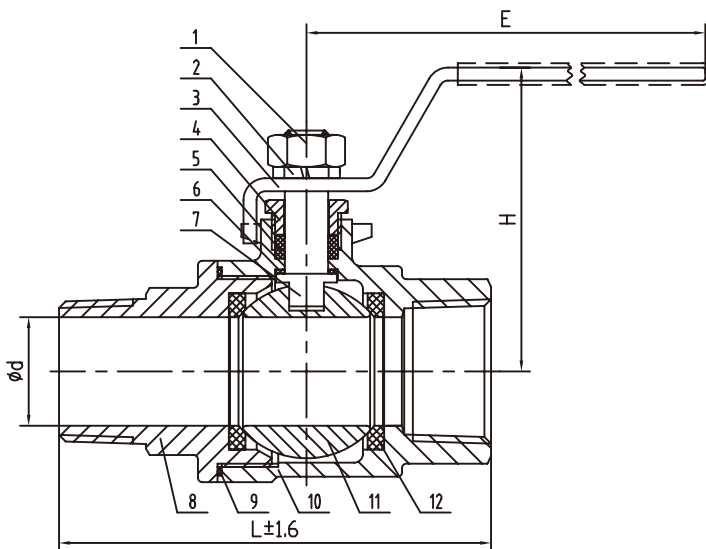
Locking Device Handle(Optional)

Thread: ASME B1.20.1 BS21. DIN2999/259,

ISO228-1, JIS B 0203, ISO7/1

Inspection Testing: API598, EN12266

Part List, Material and Dimension



No.	Part Name	Material
1	Nut	SS304 / SS316
2	Spring Washer	SS304 / SS316
3	Handle	SS201 / SS304 / SS316
4	Gland Nut	SS304 / SS316
5	Packing	PTFE / RPTFE
6	Thrush Washer	PTFE / RPTFE
7	Stem	SS304 / SS316
8	Cap	WCB / CF8 / CF8M
9	Gasket	PTFE / RPTFE
10	Body	WCB / CF8 / CF8M
11	Ball	SS304 / SS316
12	Seat	PTFE / RPTFE

Size		ød	H	E	L
DN6	1/4"	8	50	95	66
DN10	3/8"	11	50	95	66
DN15	1/2"	15	60	95	77
DN20	3/4"	20	64	115	84
DN25	1"	25	71	135	99
DN32	1-1/4"	32	78	150	113
DN40	1-1/2"	38	86	160	125
DN50	2"	49	95	180	141