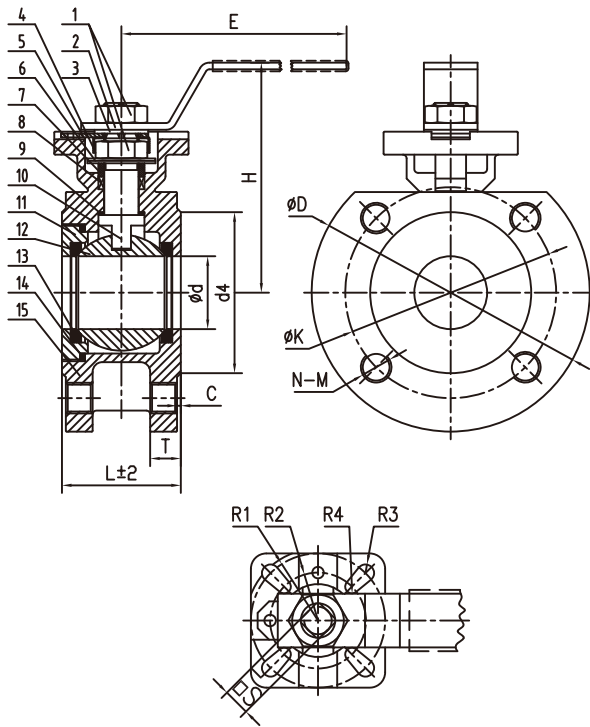




## Features:

- PN 16
- Full Port
- Investment Casting
- Blow-out Proof Stem
- ISO5211 Mounting Pad
- Locking Device Handle
- Design: EN12516
- End Flange: DIN2542-DIN2545
- Inspection Testing: DIN3230, EN12266

## Part List, Material and Dimension



No.	Part Name	Material
1	Nut	SS304 / SS316
2	handle	SS201 / SS304 / SS316
3	Square Washer	SS304 / SS316
4	Cap	SS304 / SS316
5	Stopper	SS304 / SS316
6	Belleville Washer	SS304 / SS316
7	Bushing	SS304 / SS316
8	Packing	PTFE / RPTFE
9	Thrust Gasket	PTFE / RPTFE
10	Stem	SS304 / SS316
11	Cap	WCB / CF8 / CF8M
12	Ball	SS304 / SS316
13	Seat	PTFE / RPTFE
14	Gasket	PTFE / RPTFE
15	Body	WCB / CF8 / CF8M

Size	∅d	∅d4	∅K	∅D	C	T	N-M	H	E	L	R1	R2	R3	R4	□S	
DN15	1/2"	15	45	65	95	1.5	11	4-M12	70	125	35	21	18	3	3	□9
DN20	3/4"	20	58	75	105	1.5	12	4-M12	74	125	37	21	18	3	3	□9
DN25	1"	25	67	85	115	1.5	13	4-M12	89	155	43	25	21	3.5	3	□11
DN32	1-1/4"	32	78	100	135	2	14	4-M16	100	155	53	25	21	3.5	3	□11
DN40	1-1/2"	38	84	110	145	2	16	4-M16	120	195	62	35	25	4.5	3.5	□14
DN50	2"	49	102	125	155	2	17	4-M16	129	195	76	35	25	4.5	3.5	□14
DN65	2-1/2"	58	118	145	183	2	18	4-M16	143	250	93	51	35	5.5	4.5	□19
DN80	3"	76	140	160	200	3	20	8-M16	160	270	110	51	35	5.5	4.5	□19
DN100	4"	90	162	180	212	3	21	8-M16	158	280	133	51	35	5.5	4.5	□19
DN150	6"	126	212	240	285	3	22	8-M20	217	370	190	62.5	51	6.5	5.5	□22