



Features

1000PSI/PN63

Reduce Port

Investment Casting

Blow-out Proof Stem

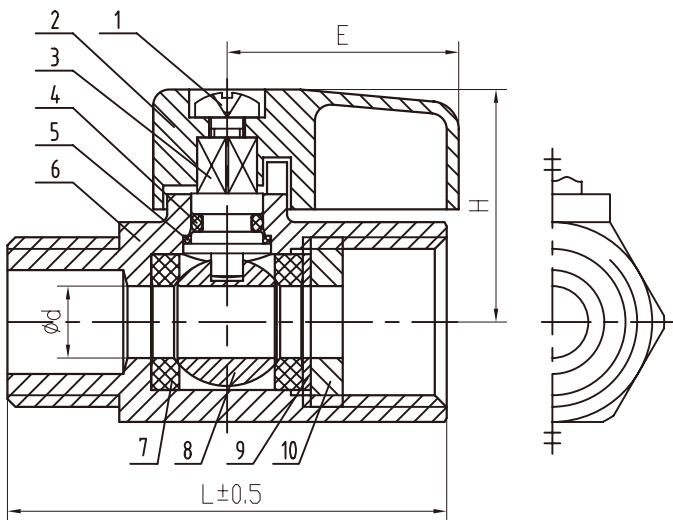
Sanitary Design

Thread: ASME B1.20.1 BS21.DIN2999/259,

ISO228-1, JIS B 0203, ISO7/1

Inspection Testing: API598,EN12266

Part List, Material and Dimension



No.	Part Name	Material
1	Screw	SS304 / SS316
2	Handle	SS201 / SS304 / SS316
3	Stem	SS304 / SS316
4	O-Ring	NBR / EPDM
5	Thrust Washer	PTFE / RPTFE
6	Body	WCB / CF8 / CF8M
7	Seat	PTFE / RPTFE
8	Ball	SS304 / SS316
9	Gasket	PTFE / RPTFE
10	Lock Nut	SS304 / SS316

Size		ød	E	H	L
DN6	1/4"	7	25	21	40
DN10	3/8"	7	25	23	45
DN15	1/2"	9	29	29	55
DN20	3/4"	12	34	35	60
DN25	1"	15	34	37.5	70