



## Features

1000PSI/PN63

Reduce Port

Standard: API608, ASME B16.34

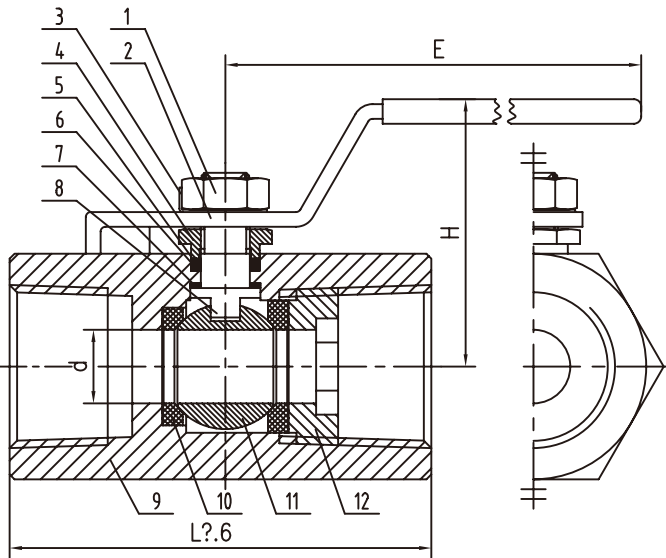
Investment Casting

Thread: ASME B1.20.1 BS21.DIN2999/259,

ISO228-1, JIS B 0203, ISO288 CLASS A

Inspection Testing: API598

## Part List, Material and Dimension



No.	Part Name	Material
1	Nut	SS304 / SS316
2	Handle	SS201 / SS304 / SS316
3	Gasket	SS304 / SS316
4	Gland	SS304 / SS316
5	Gasket	SS304 / SS316
6	Packing	PTFE / RPTFE
7	Thrush Washer	PTFE / RPTFE
8	Stem	SS304 / SS316
9	Body	A105 / SS304 / SS316
10	Seat	PTFE / RPTFE
11	Ball	SS304 / SS316
12	Lock Nut	SS304 / SS316

Size		∅d	H	E	L
DN6	1/4"	5	35	70	41
DN10	3/8"	7	37	70	47
DN15	1/2"	9	48	120	58
DN20	3/4"	12.5	52	120	65
DN25	1"	15	66	125	77
DN32	1-1/4"	20	78	145	94
DN40	1-1/2"	24.5	84	150	102
DN50	2"	32	91	150	115
DN65	2-1/2"	40	88	210	127
DN80	3"	49	95	210	151
DN100	4"	65	108	240	195