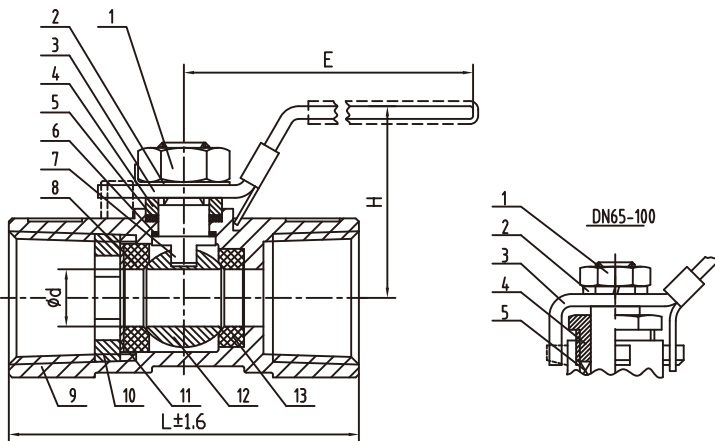




**Feature:**

- 1000PSI/PN63
- Reduce Port
- Investment Casting
- Blow-out Proof Stem
- Sanitary Design
- Thread: ASME B1.20.1 BS21.DIN2999/259,  
ISO228-1, JIS B 0203, ISO7/1
- Inspection Testing: API598,EN12266

**Part List, Material and Dimension**



No.	Part Name	Material
1	Nut	SS304 / SS316
2	Cap	SS304 / SS316
3	Handle	SS201 / SS304 / SS316
4	Gland	SS304 / SS316
5	Packing	PTFE / RPTFE
6	Thrust Washer	PTFE / RPTFE
7	Stem	SS304 / SS316
8	Seat	PTFE / RPTFE
9	Body	WCB / CF8 / CF8M
10	Lock Nut	SS304 / SS316
11	Gasket	SS304 / SS316
12	Ball	SS304 / SS316
13	Seat	PTFE / RPTFE

Size		∅d	H	E	L
DN6	1/4"	5	35	65	41
DN10	3/8"	7	37	70	45
DN15	1/2"	9	41	85	55
DN20	3/4"	12	44	90	59
DN25	1"	15	45	115	70
DN32	1-1/4"	20	49	105	76
DN40	1-1/2"	25	56	140	84
DN50	2"	32	62	140	97
DN65	2-1/2"	38	95	180	124
DN80	3"	49	105	180	148
DN100	4"	65	117	220	185